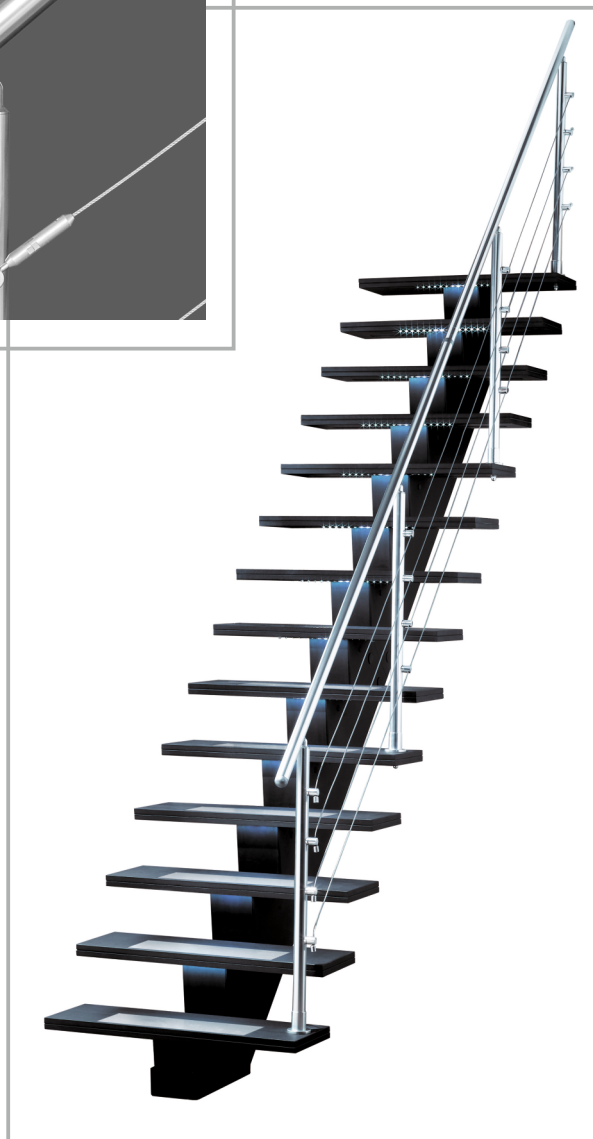
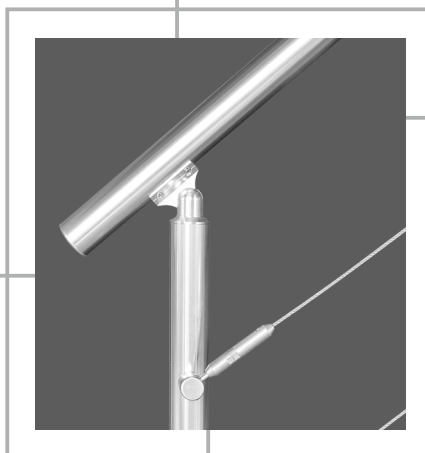


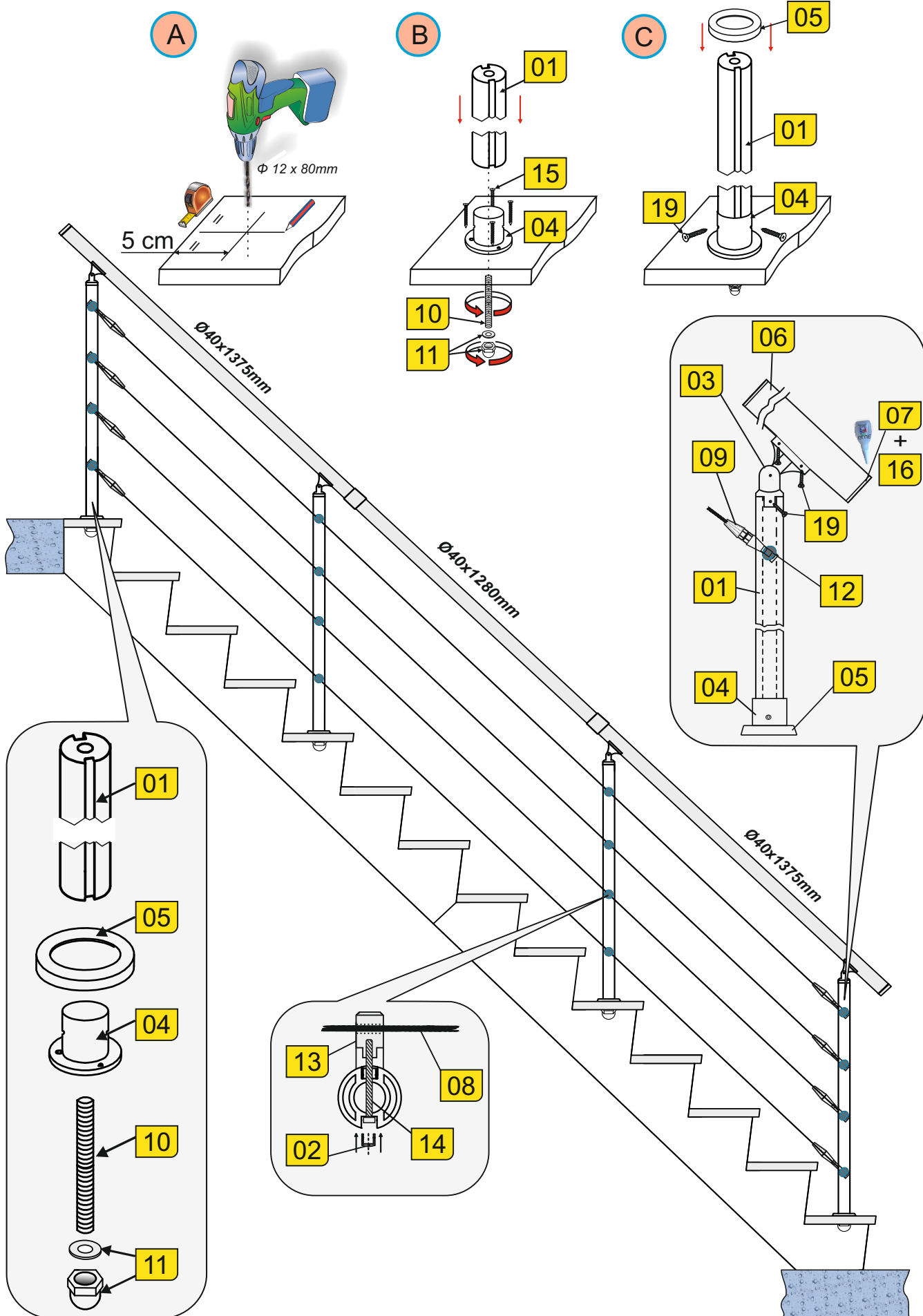
Video 

 www.sogem-sa.com

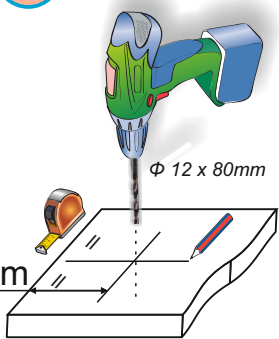


**GOMERA / KALEA / TAMBORA / AUVERGNE
RAMPE A CABLES POUR ESCALIER DROIT**

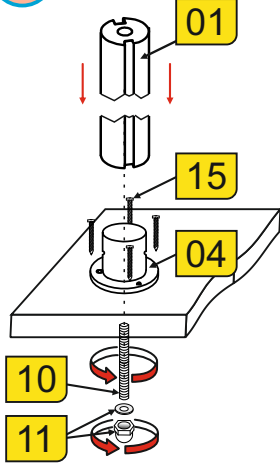
01	AA040040840	02	AA012007840	03	AA050040070	04	AA070070066
	$\varnothing 40 \times 840 \text{ mm}$ =4		$12 \times 7 \times 840 \text{ mm}$ =8		$50 \times 40 \times 70 \text{ mm}$ =4		$\varnothing 70 \times 66 \text{ mm}$ =4
05	AA074074010	06	AA040040128 AA040040137	07	AA040040014	08	OG003003400
	$\varnothing 74 \times \varnothing 46 \times 10 \text{ mm}$ =4		$\varnothing 40 \times 1280 \text{ mm}$ =1 $\varnothing 40 \times 1375 \text{ mm}$ =2		$\varnothing 40 \times 14 \text{ mm}$ =2		$\varnothing 3 \times 4000 \text{ mm}$ =4
09	AA014014120	10	OG012012070	11	OA019019022 OA024024003	12	AA024024037
	$\varnothing 14 \times 120 \text{ mm}$ =8		$M12 \times 70 \text{ mm}$ =4		$\text{hex} 19 \times 22 \text{ mm}$ =4 $\varnothing 24 \times 3 \text{ mm}$ =4		 $\varnothing 24 \times 37 \text{ mm}$ =8
13	AA024024036	14	OG004004045	15	OG004004030	16	PR040099023
	$\varnothing 24 \times 36 \text{ mm}$ =8		$M4 \times 45 \text{ mm}$ =16		$\varnothing 4 \times 30 \text{ mm}$ =16		$40 \times 99 \times 23 \text{ mm}$ =1
17	AA034034082	18	AA045045025	19	OG004004019		
	$\varnothing 34,6 \times 82 \text{ mm}$ =2		$\varnothing 45 \times 25 \text{ mm}$ =2		$\varnothing 3,9 \times 19 \text{ mm}$ =20+2		



A



B



C

