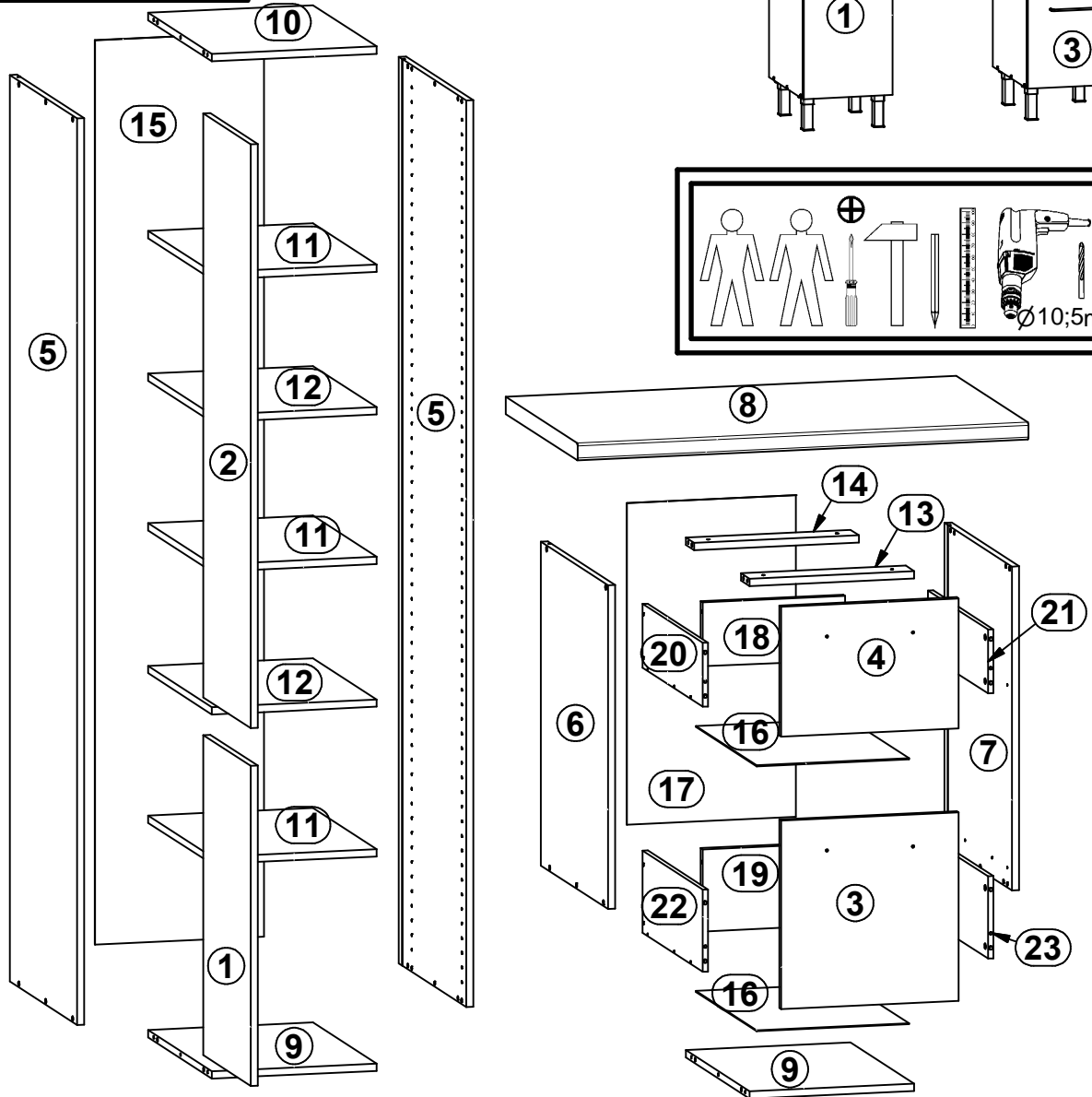
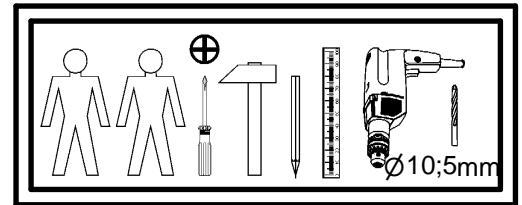
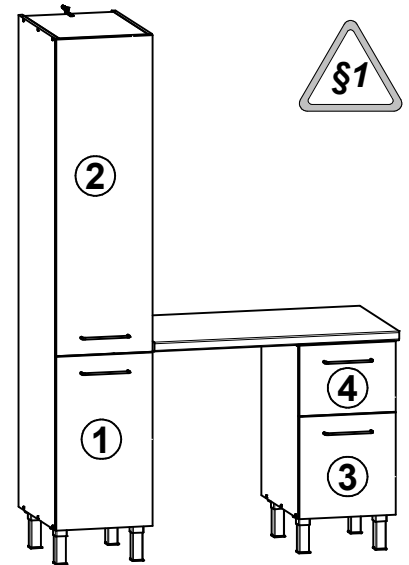
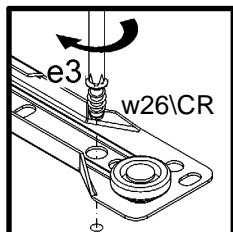
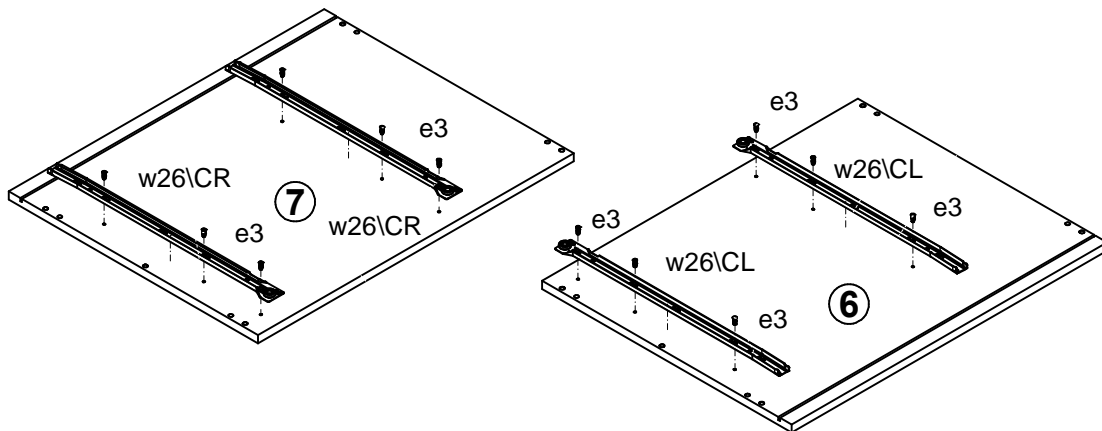


A	B	C	D	A	B	C	D		
1	K29-0001	701	396	6/6	13	K29-4005	367	70	2/6
2	K29-0002	1278	396	6/6	14	K29-4006	367	70	2/6
3	K29-0016	396	413	6/6	15	K29-9001	1980	377	2/6
4	K29-0017	396	285	6/6	16	K29-9005	340	505	3/6
5	K29-1001	1985	560	1/6,2/5	17	K29-9006	704	377	2/6
6	K29-1004	709	560	1/6	18	ZS3-5659	318	140	2/6
7	K29-1005	709	560	1/6	19	ZS3-5660	318	180	2/6
8	K29-2002	1005	600	4/6	20	ZS4-533	500	140	2/6
9	K29-3001	367	530	1/6	21	ZS4-534	500	140	2/6
10	K29-3002	367	530	2/6	22	ZS4-545	500	180	2/6
11	K29-3003	367	530	2/6	23	ZS4-546	500	180	2/6
12	K29-3004	367	530	3/6					

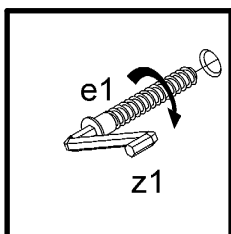
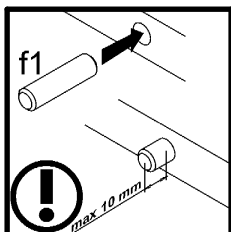
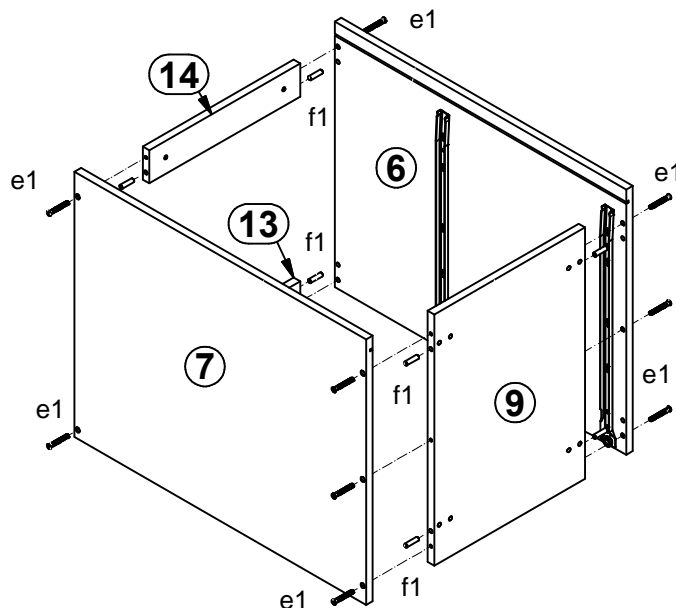


5x 	5x 	8x 	22x 	12x 	12x 	8x 	16x 	8x
1x 	4x 	8x 	20x 	1x 	1x 	24x 	4x 	8x
10x 	8x 	8x 	2x 	2x 	2x 	2x 	2x 	10x
12x 	22x 	8x 	8x 	8x 	8x 	4x 	8x 	1x

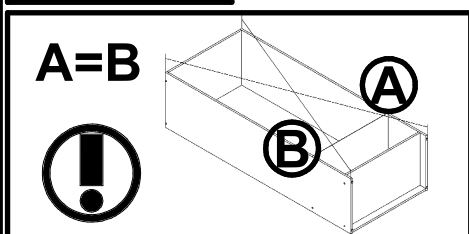
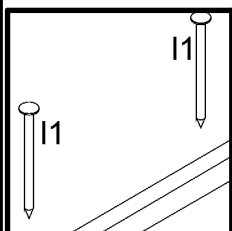
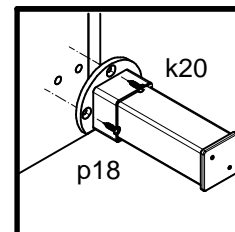
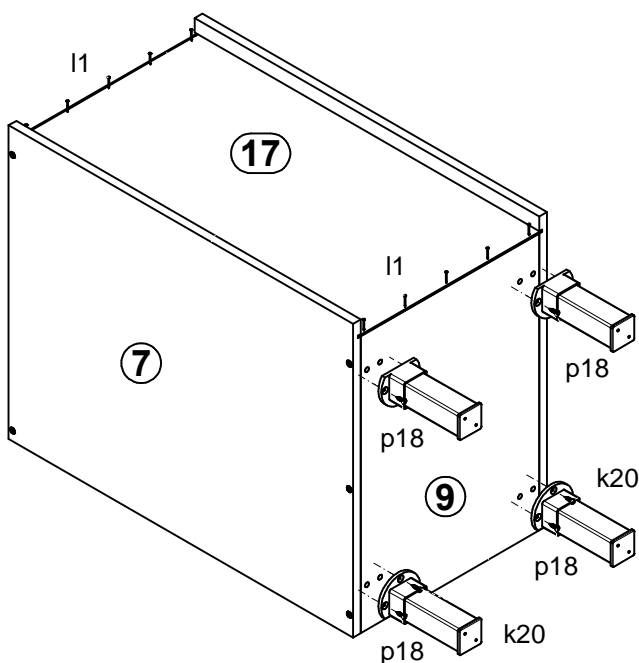
1



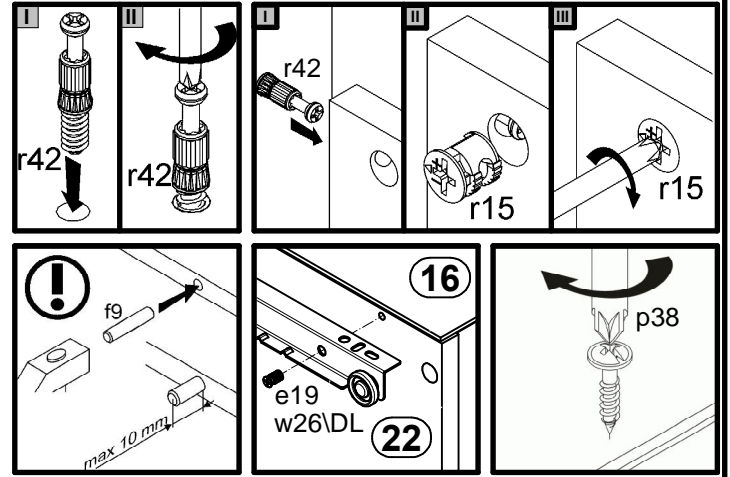
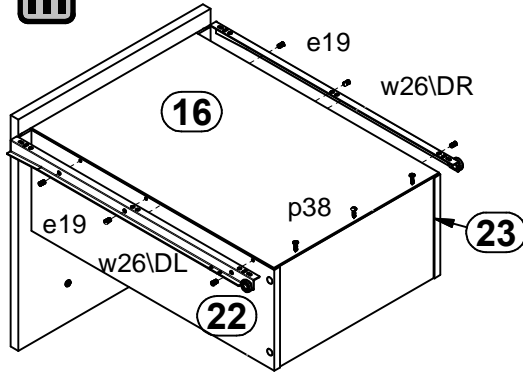
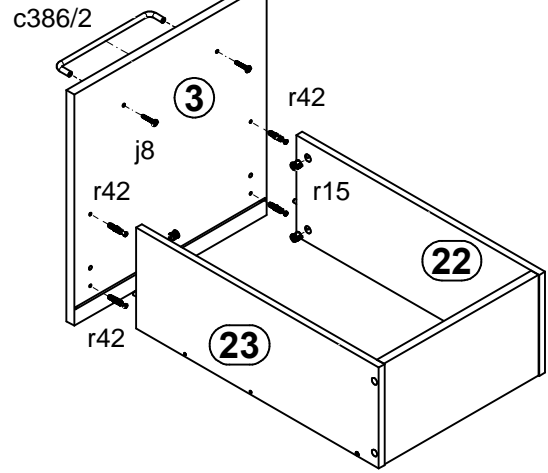
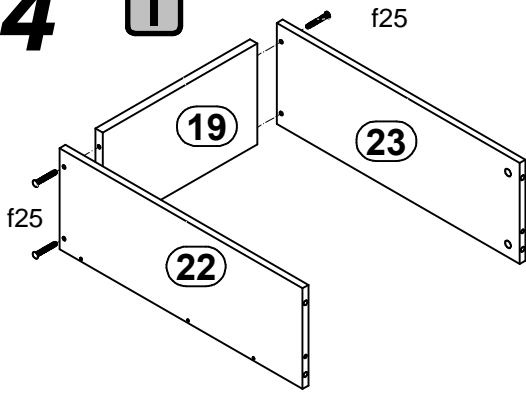
2



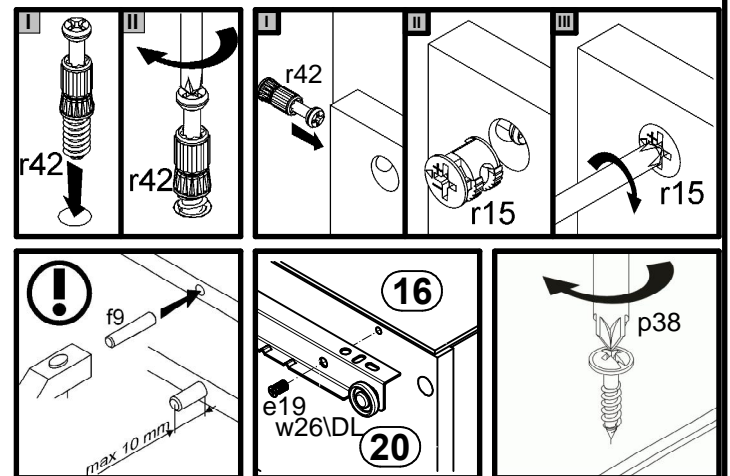
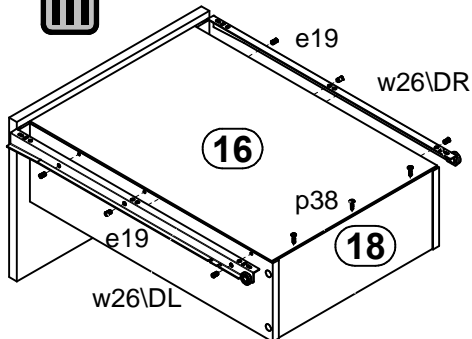
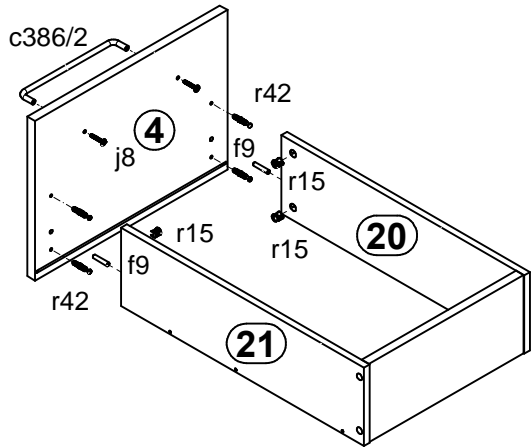
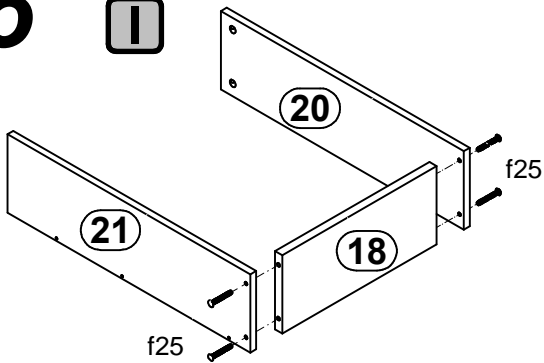
3



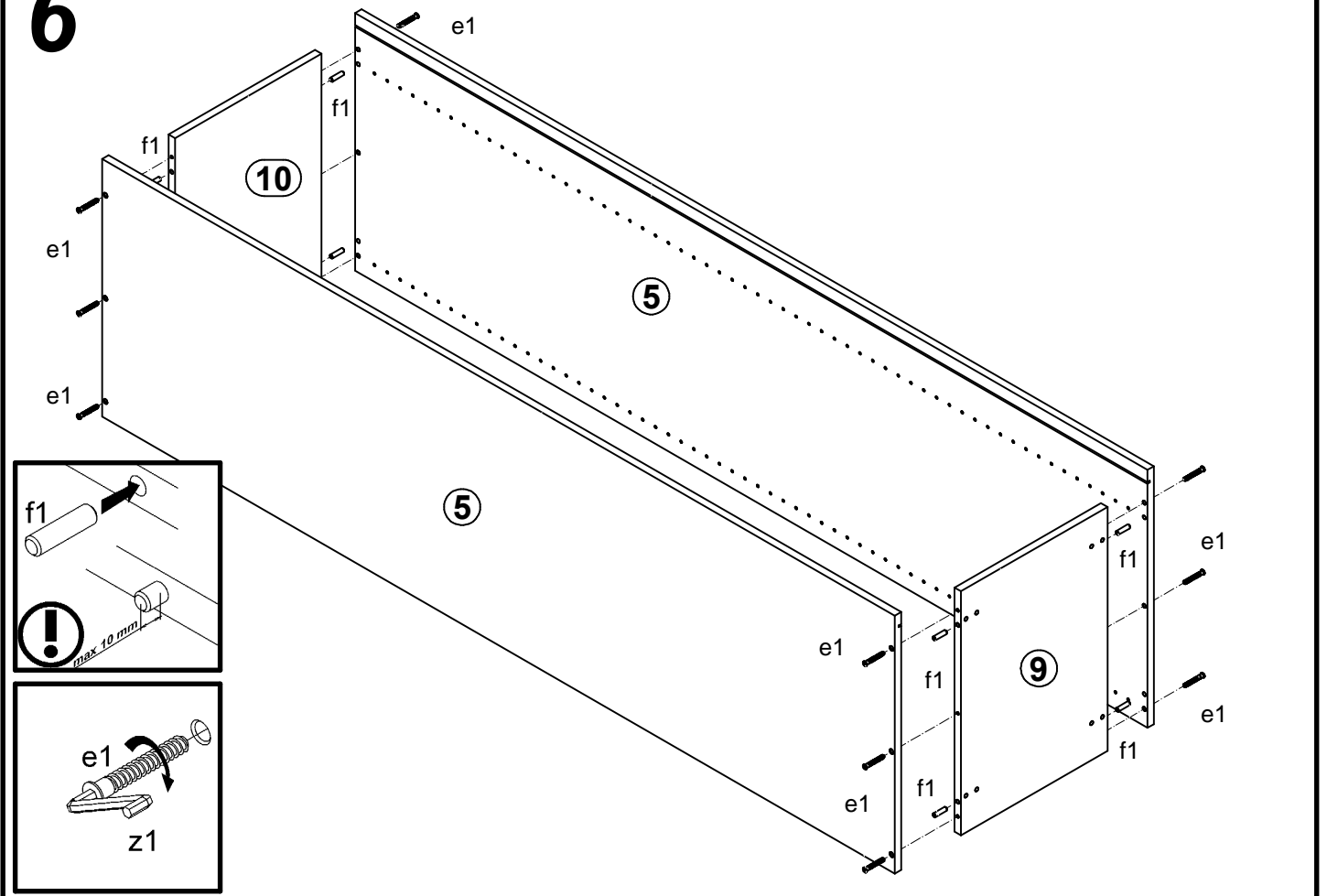
4



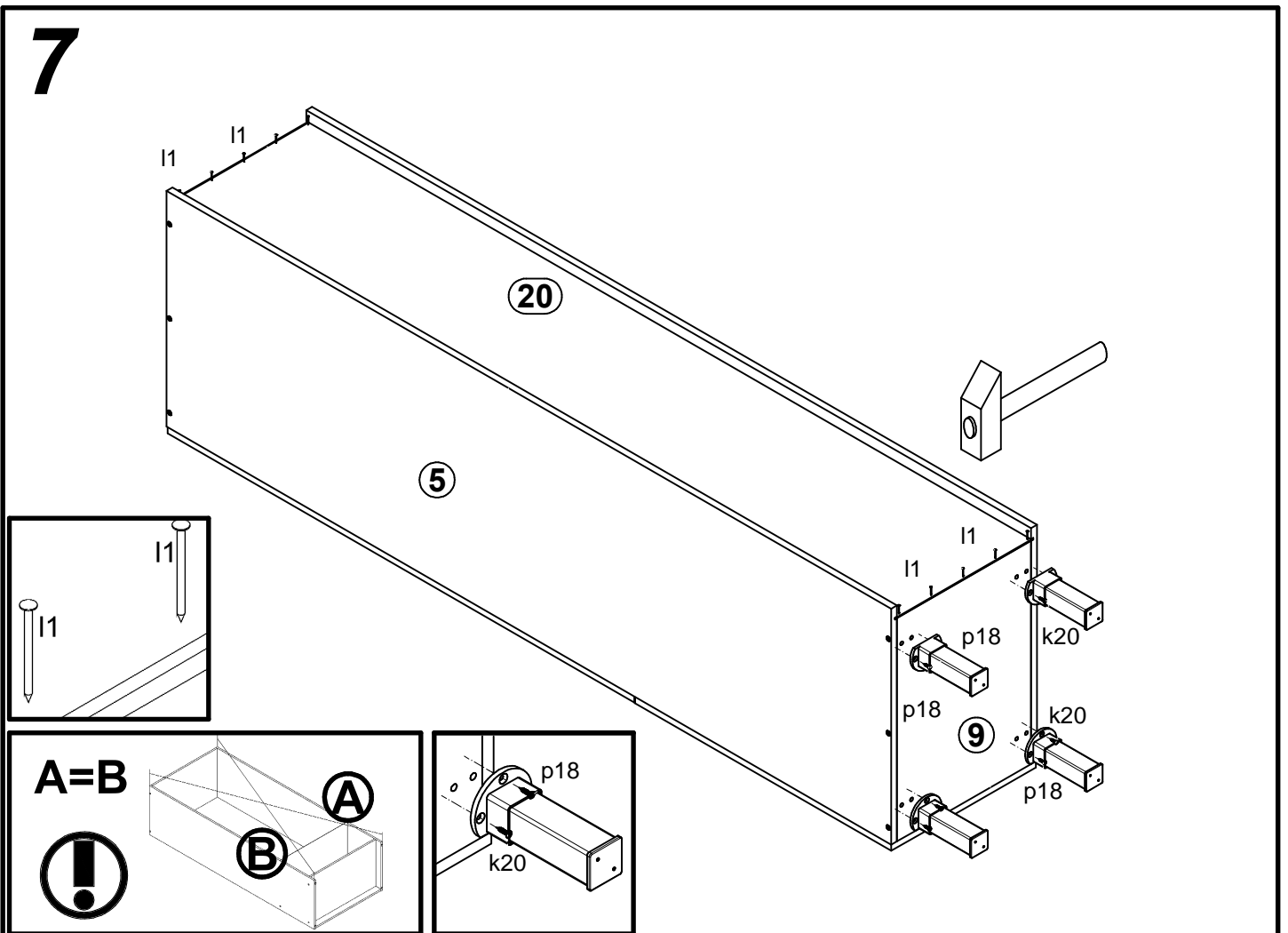
5



6



7



8

