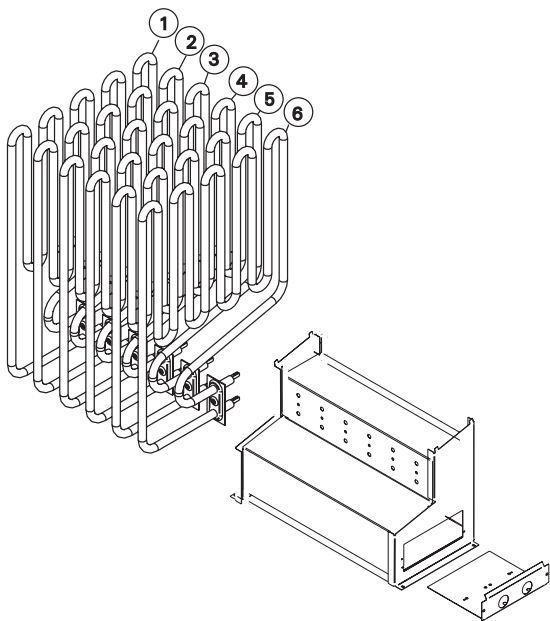
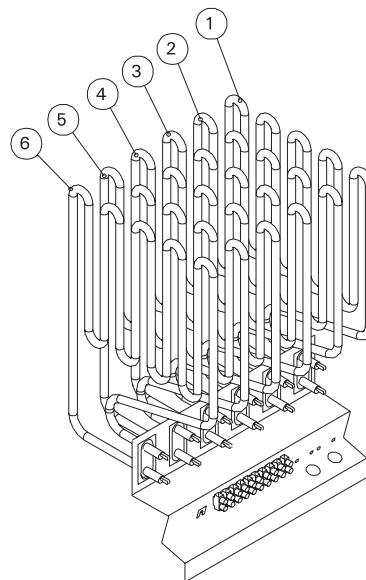


| HEATER<br>OFEN | HEATING ELEMENT<br>HEIZELEMENT | OUTPUT<br>LEISTUNG           | PART NO.<br>TEIL NR. |
|----------------|--------------------------------|------------------------------|----------------------|
| T9             | 1, 2, 3, 4, 5, 6               | 1500 W/230 V                 | ZSS-110              |
| T10,5          | 1, 3, 5<br>2, 4, 6             | 2000 W/230 V<br>1500 W/230 V | ZSS-120<br>ZSS-110   |



| HEATER<br>OFEN | HEATING ELEMENT<br>HEIZELEMENT | OUTPUT<br>LEISTUNG           |                    |
|----------------|--------------------------------|------------------------------|--------------------|
| K11G           | 1, 3, 5<br>2, 4, 6             | 2150 W/230 V<br>1500 W/230 V | ZSP-240<br>ZSS-110 |
| K13,5G         | 1, 3, 5<br>2, 4, 6             | 2000 W/230 V<br>2500 W/230 V | ZSS-120<br>ZSP-250 |
| K15G           | 1, 2, 3, 4, 5, 6               | 2500 W/230 V                 | ZSP-250            |
| F10,5          | 1, 3, 5<br>2, 4, 6             | 2000 W/230 V<br>1500 W/230 V | ZSS-120<br>ZSS-110 |
| F15            | 1, 2, 3, 4, 5, 6               | 2500 W/230 V                 | ZSP-250            |
| F16,5          | 1, 3, 5<br>2, 4, 6             | 2500 W/230 V<br>3000 W/230 V | ZSP-250<br>ZSP-255 |
| F18            | 1, 2, 3, 4, 5, 6               | 3000 W/230 V                 | ZSP-255            |

We recommend to use only the manufacturer's spare parts.