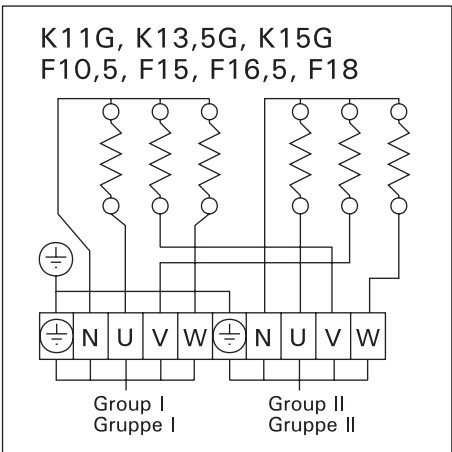


The heater's electrical connections



*The heater's electrical connections
in two groups*