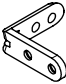
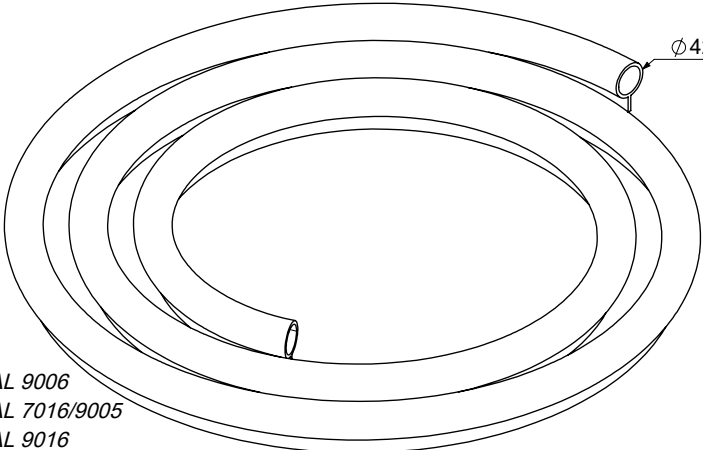


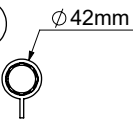

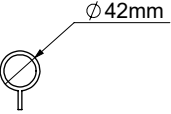


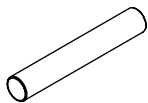











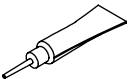




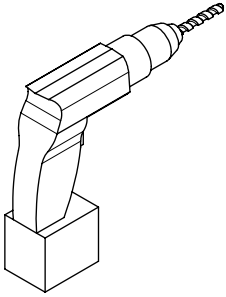
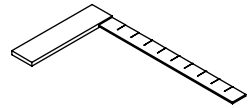
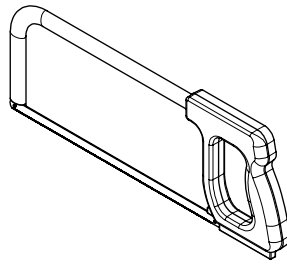


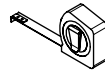
<p>3</p> <p>K1-1072031 RAL 9005 K1-1072131 Pearl grey K1-71231 RAL 9006 K1-71431 RAL 7016 K1-71631 RAL 9016</p> 	<p>25</p>  <p>Ø42mm</p>				
<p>9</p> 	<p>22</p>  <p>Ø42mm</p> <p>x 1 K1-71295 5 m - RAL 9006 K1-71495 5 m - RAL 7016/9005 K1-71695 5 m - RAL 9016</p>	<p>26</p>  <p>Ø42mm</p>  <p>K1-39000</p> <p>K2-1072201 1 m - RAL 9016 K2-1077095 1 m - RAL 7016/9005 K2-1077097 1 m - RAL 9006</p>			
<p>K2-1077161 RAL 9005 K2-1077162 Pearl grey K2-71250 RAL 9006 K2-71450 RAL 7016 K2-71650 RAL 9016</p>		<p>33</p>  <p>Ø42mm</p>  <p>210mm</p> <p>K1-71293 RAL 9006 K1-71493 RAL 7016/9005 K1-71693 RAL 9016</p>	<p>38</p>  <p>K1-71025</p>	<p>39</p>  <p>K1-71276</p>	
<p>35</p> 		<p>40</p>  <p>K2-71278 RAL 9006 K2-71478 RAL 7016/9005 K2-71678 RAL 9016</p>	<p>41</p>  <p>K1-71275 RAL 9006 K1-71475 RAL 7016/9005 K1-71675 RAL 9016</p>		
<p>50</p> <p>K3-06022 FZB/BZP K3-10126 RAL 9016 K3-10226 RAL 7016 K3-10405 RAL 9005 Ø5 x 35 mm - Torx 25</p>  		<p>51</p> <p>K3-06199 FZB/BZP K3-10139 RAL 9016 K3-10239 RAL 7016 K3-10379 RAL 9005 Ø5 x 20 mm - Torx 25</p>  	<p>61</p> <p>K3-10369 RAL 9005 K3-05011 FZB/BZP K3-10230 RAL 7016 K3-10130 RAL 9016 M5 x 20 mm</p>  	<p>69</p> <p>R1-63272 Ø6 x 25</p>  	<p>70</p>  <p>K3-90001</p>
<p>71</p> <p>K3-10388 RAL 9005 K3-06027 FZB/BZP K3-10228 RAL 7016 K3-10128 RAL 9016 Ø5 x 50 mm - Torx 25</p>  		<p>79</p> <p>K3-10445 RAL 9005 K3-06375 FZB/BZP K3-10245 RAL 7016 K3-10145 RAL 9016 Ø5 x 80 mm - Torx 25</p>  			
<p>K1-1072070 RAL 9005 K1-1072170 Pearl grey K1-71270 RAL 9006 K1-71470 RAL 7016 K1-71670 RAL 9016</p>					



Torx 25
PZ 2

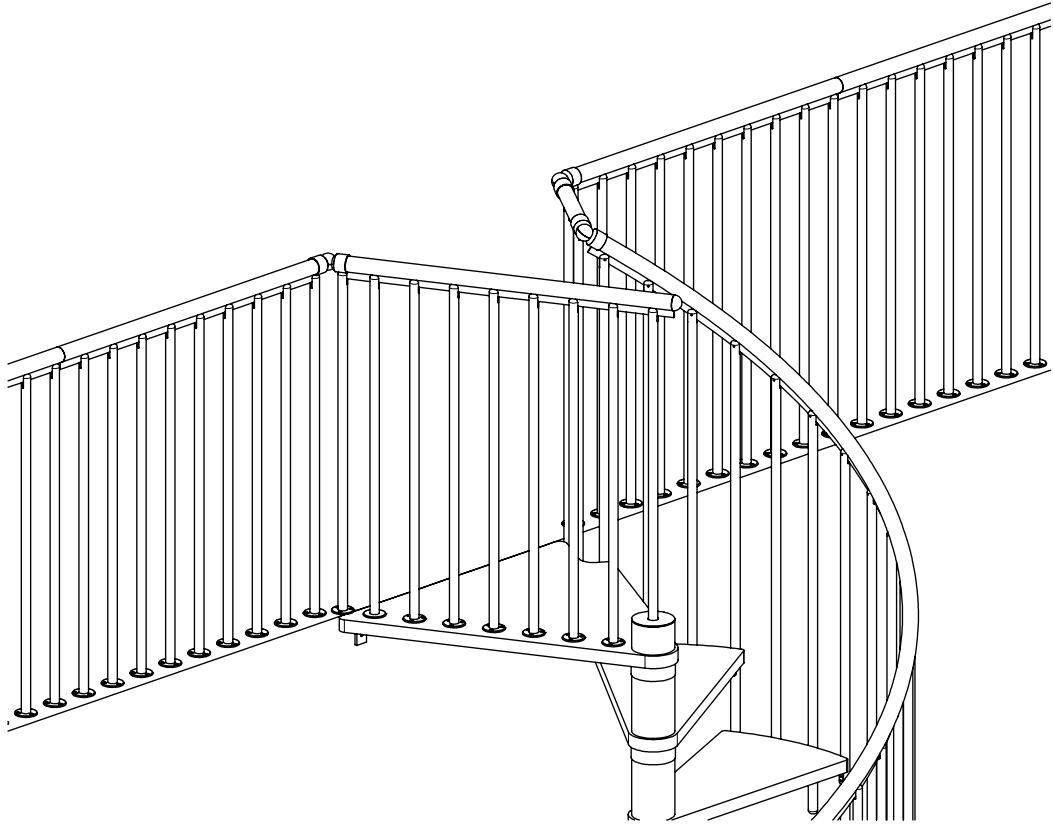


2,5

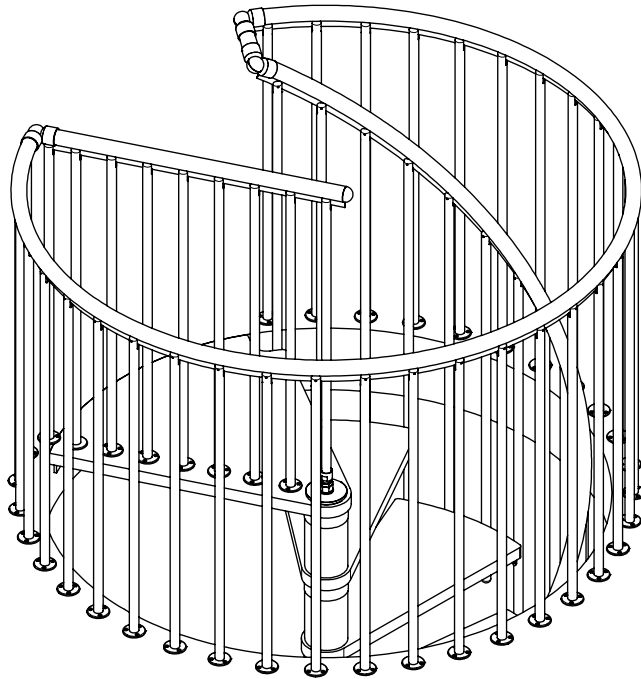


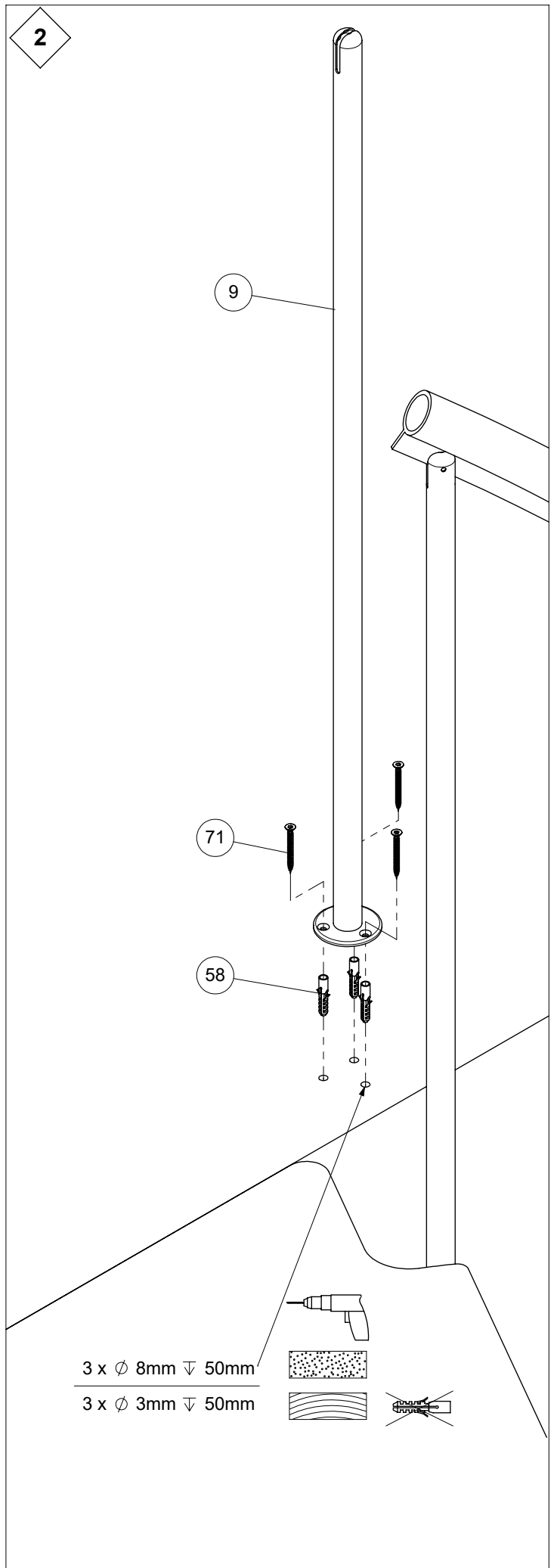
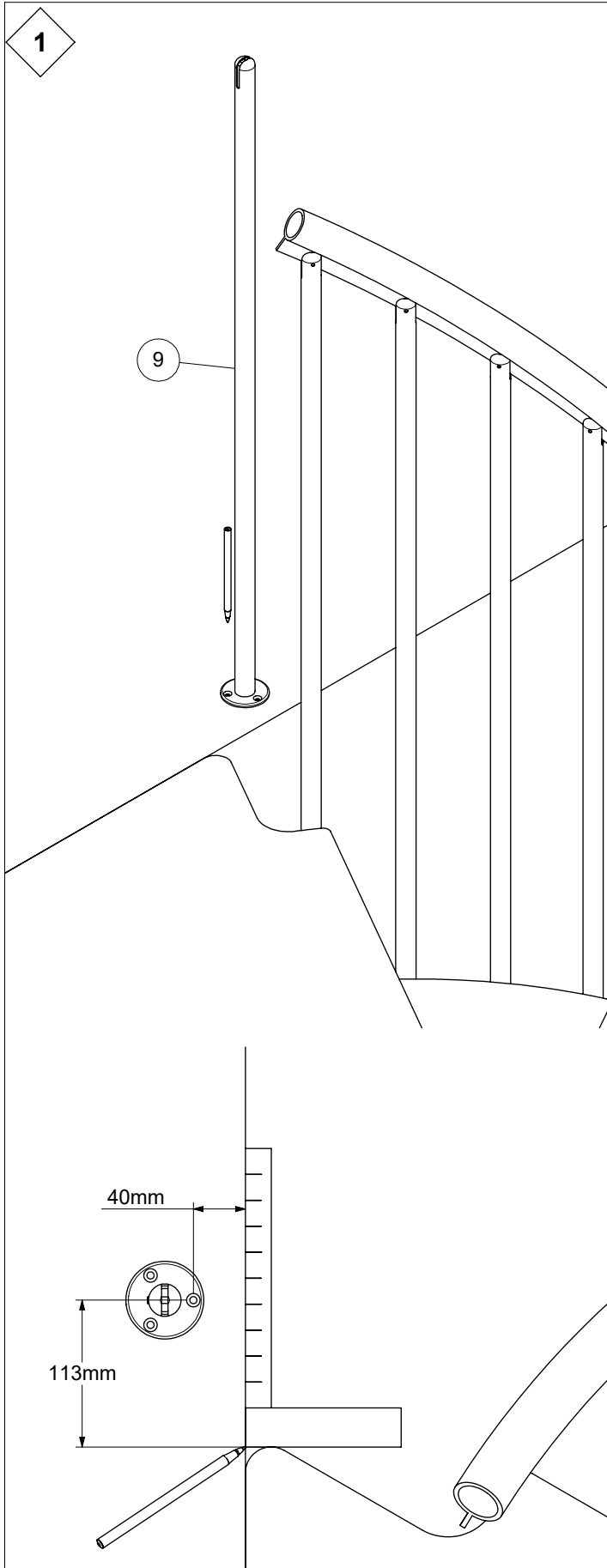
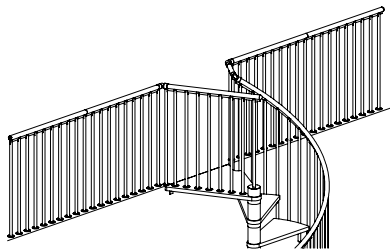


1 - 32

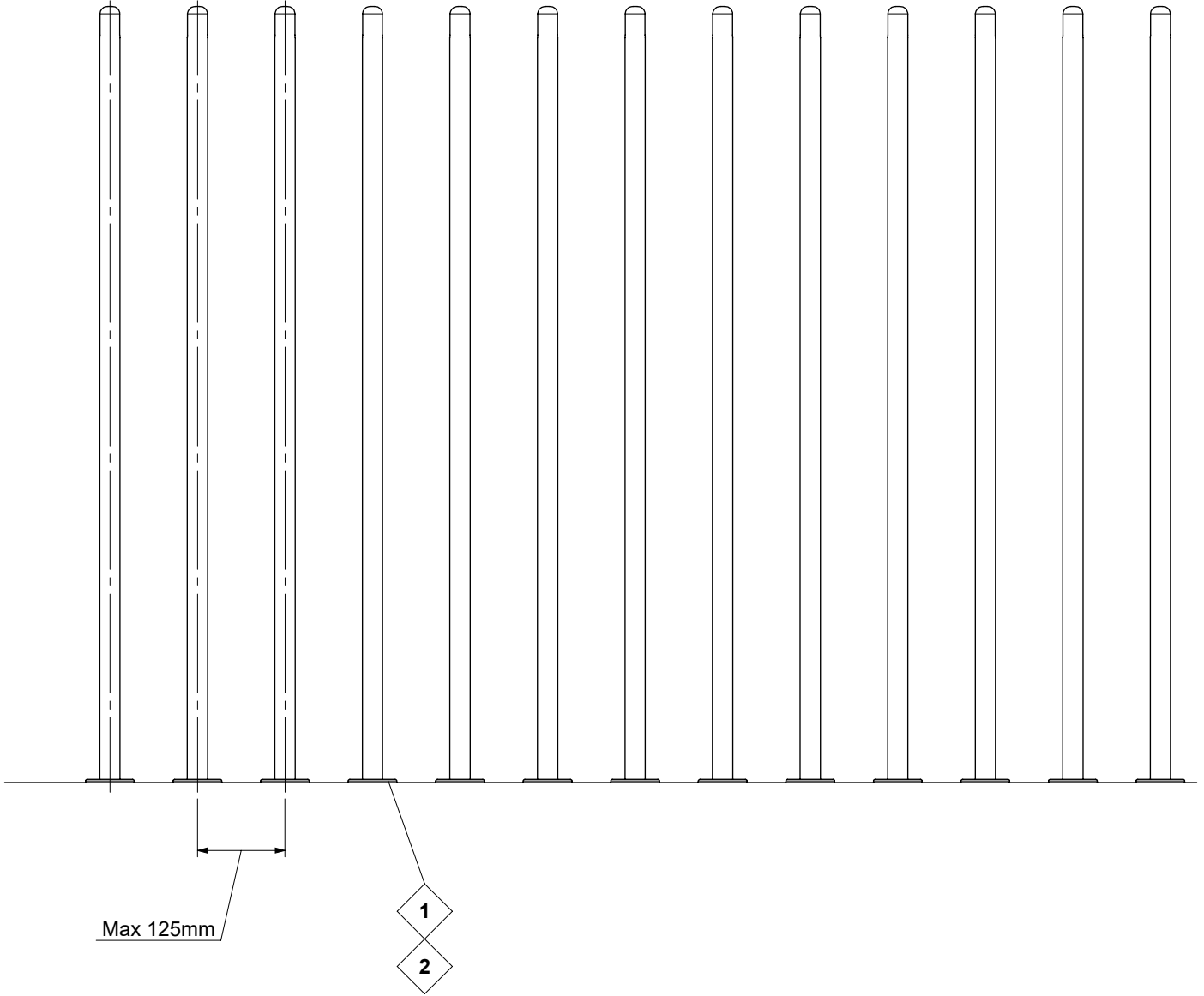


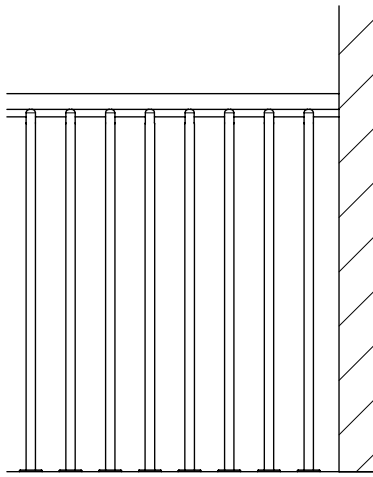
33 - 55



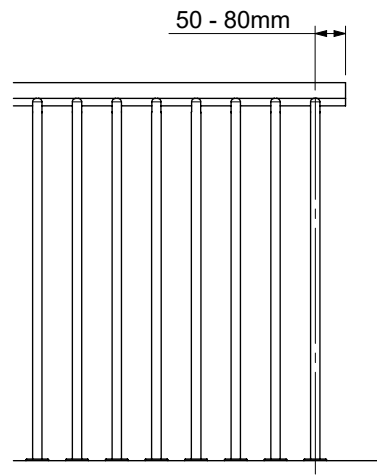


3

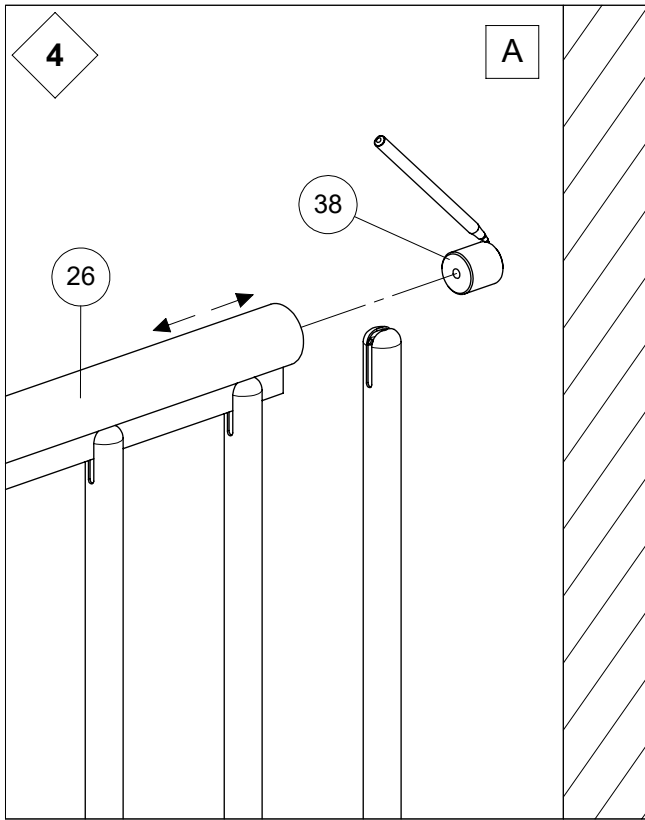




A

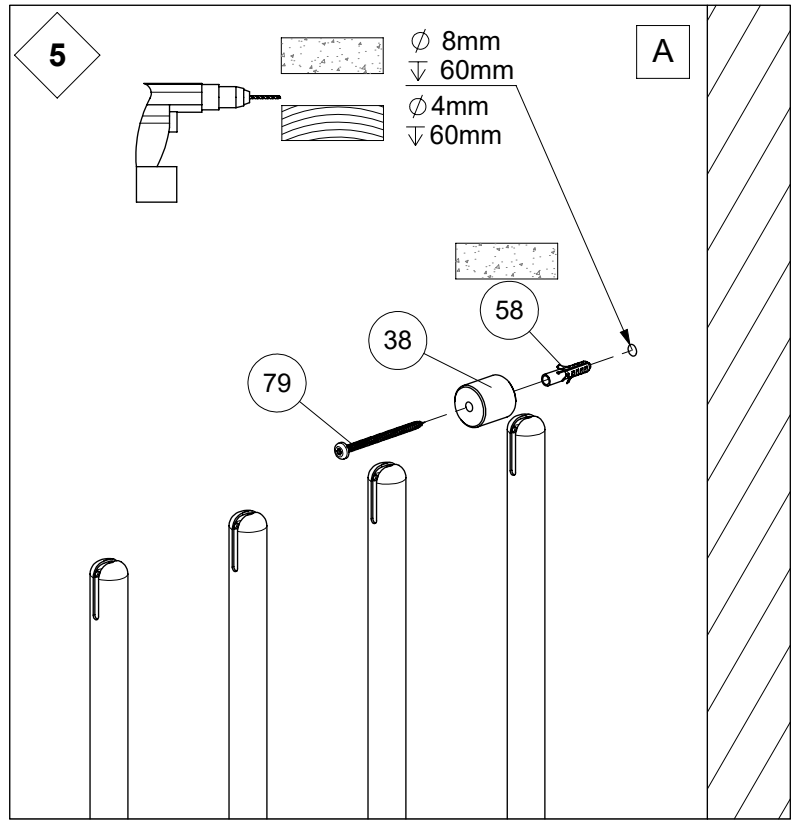


B



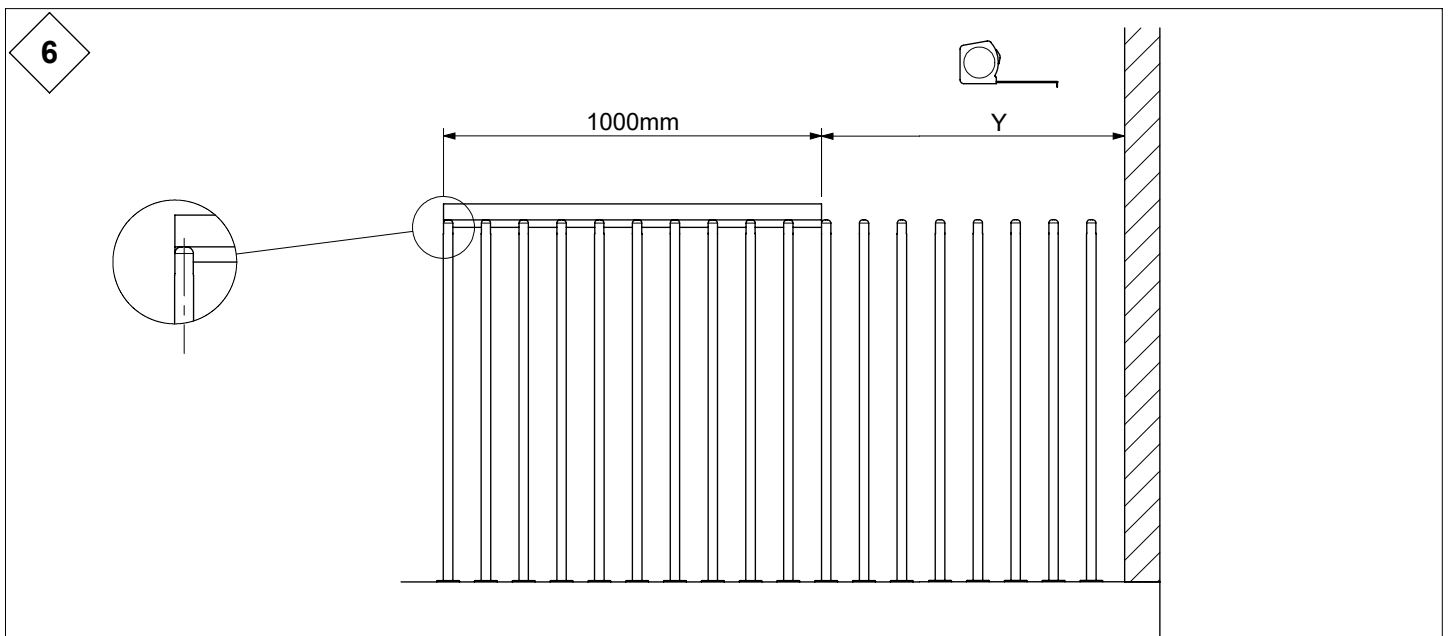
4

A

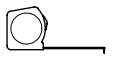


5

A

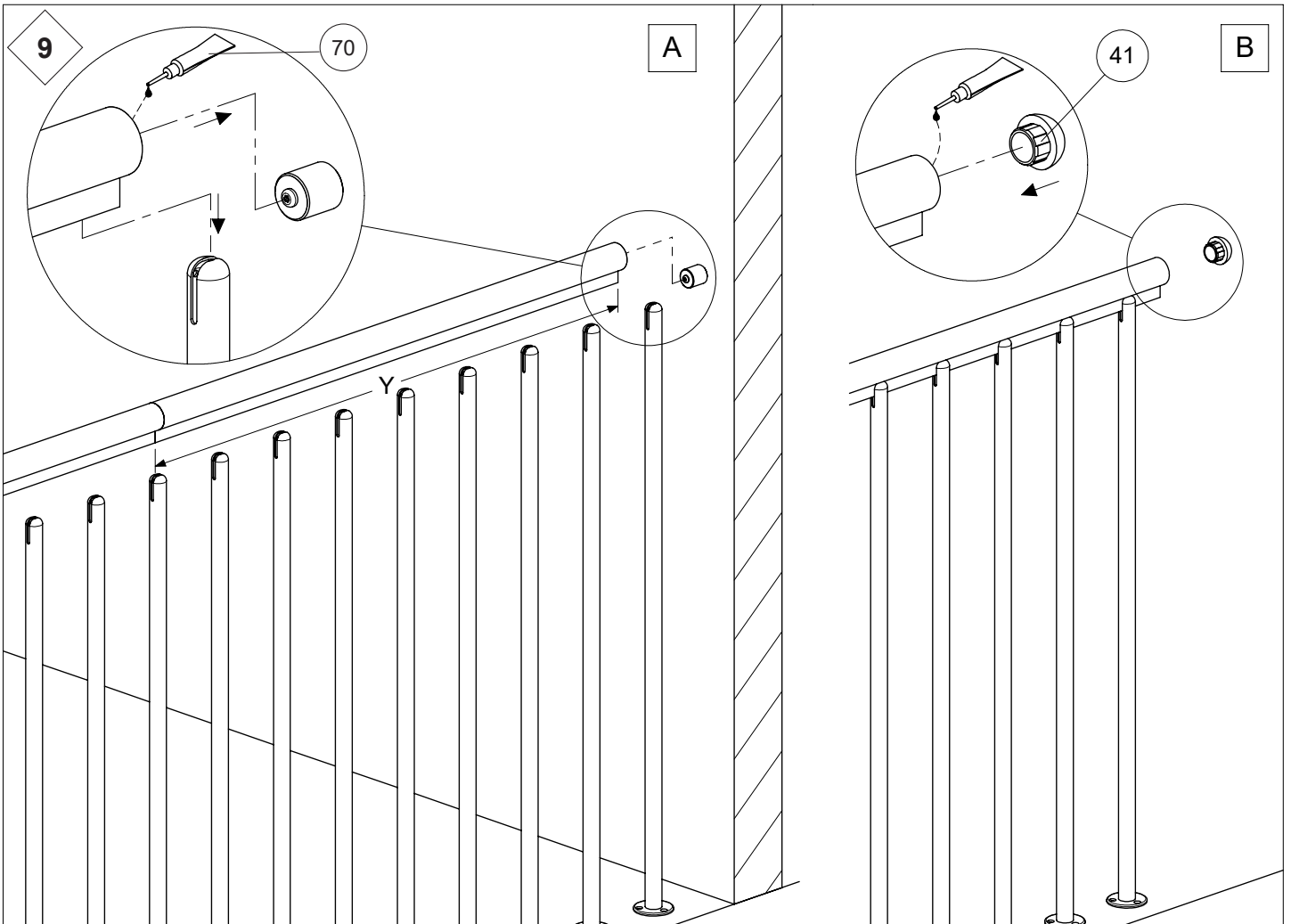
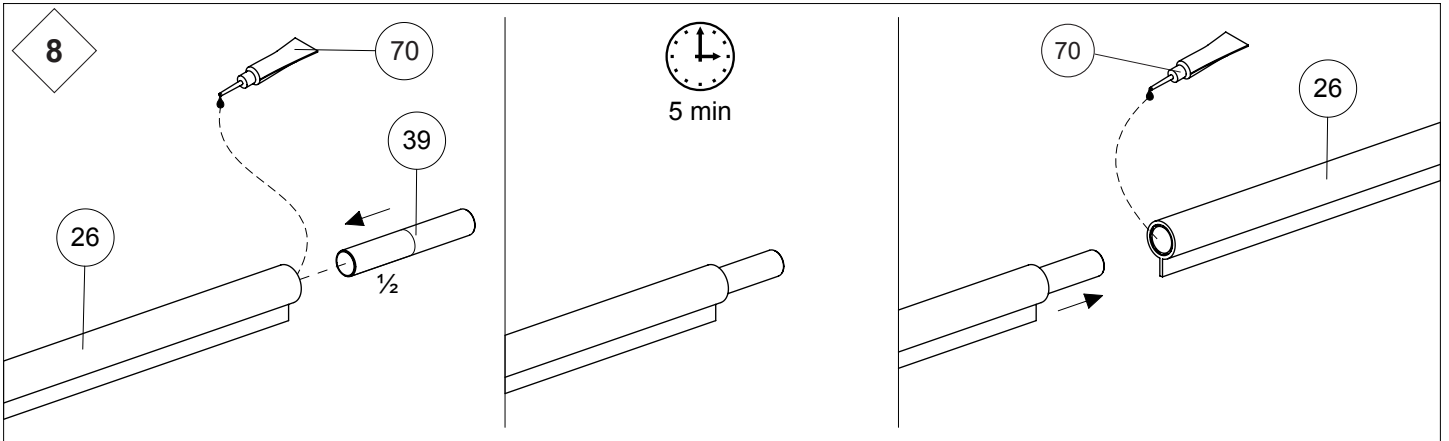
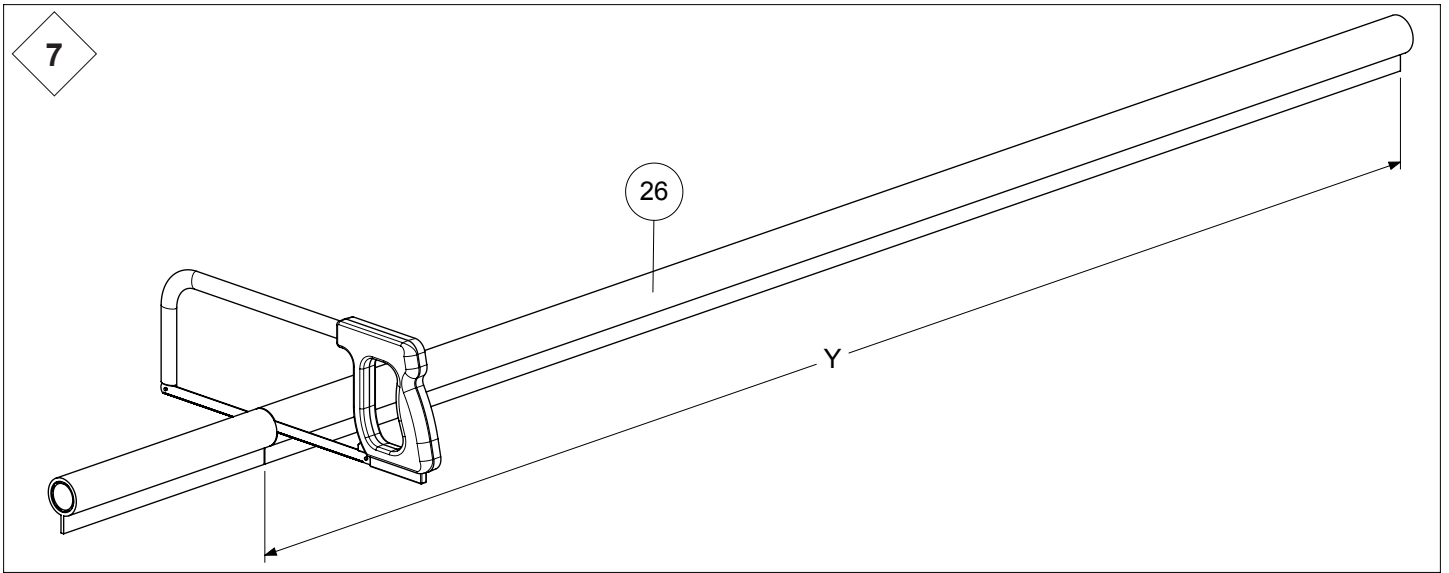


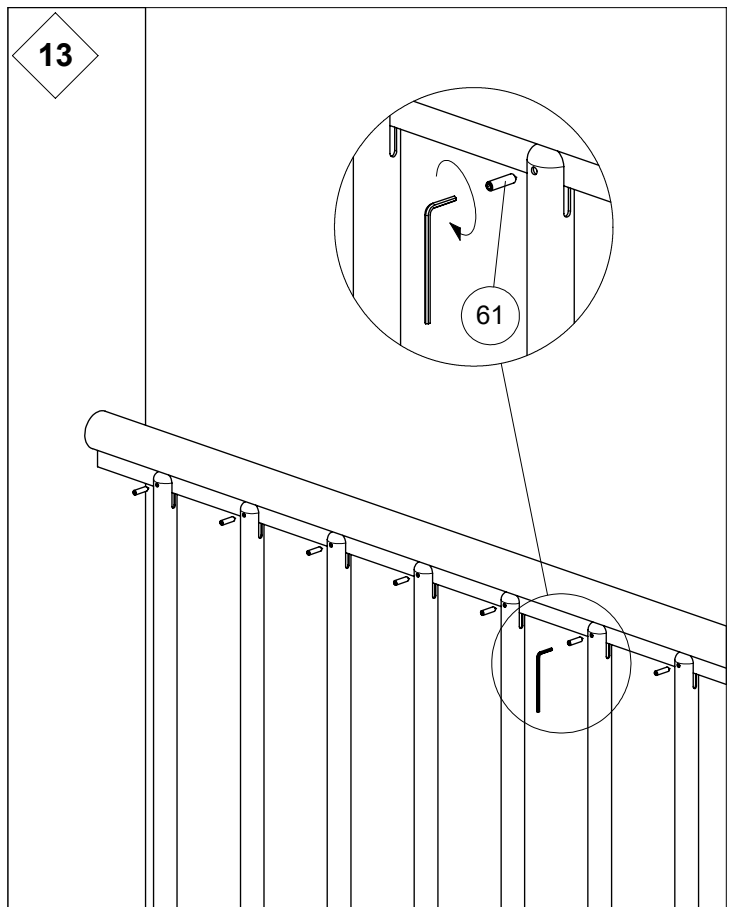
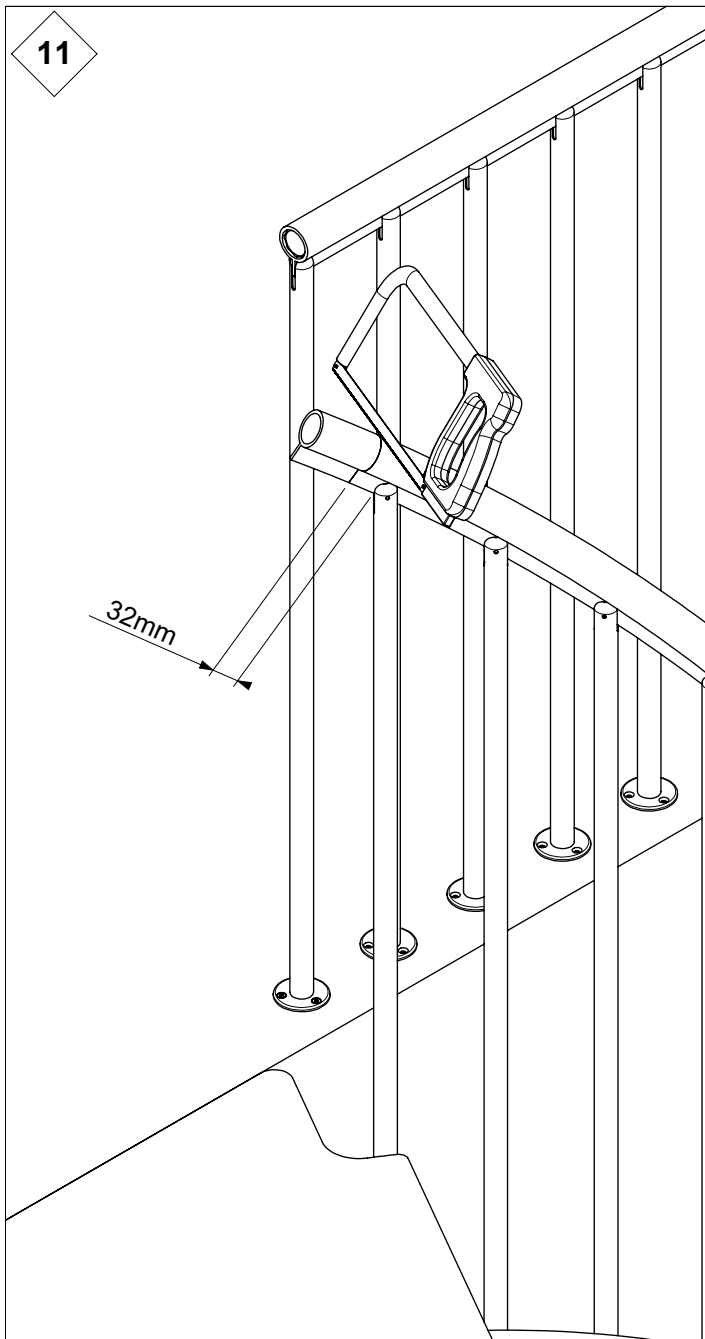
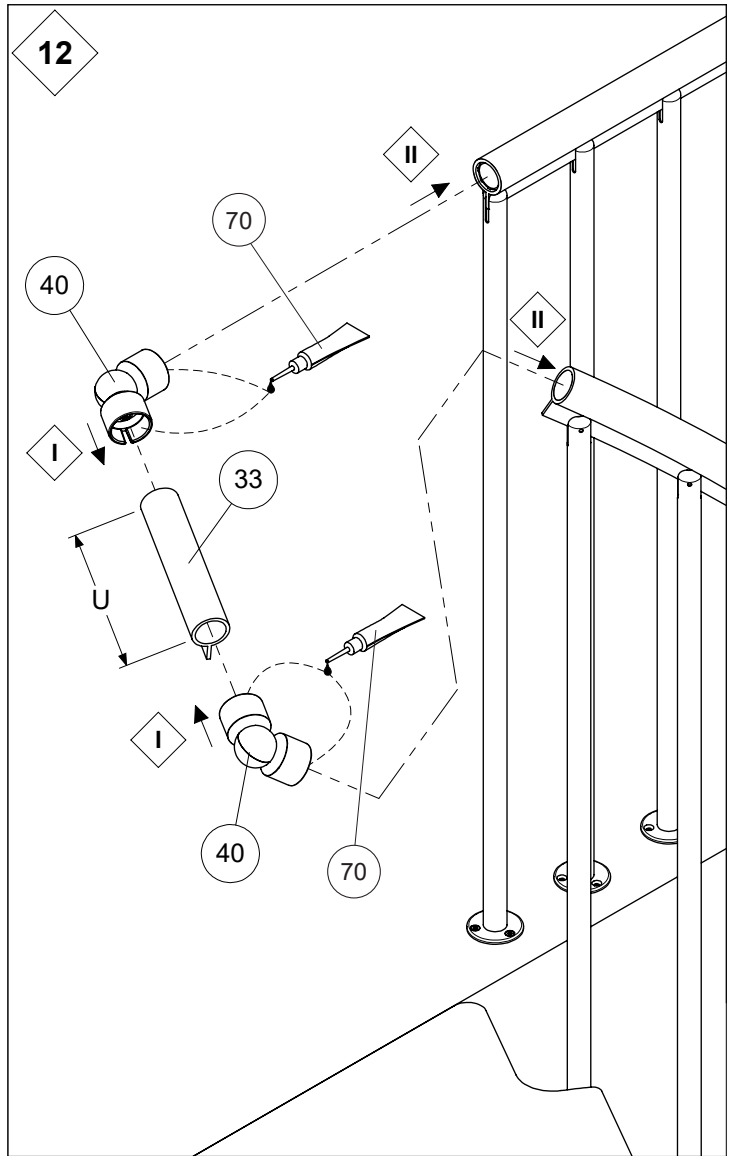
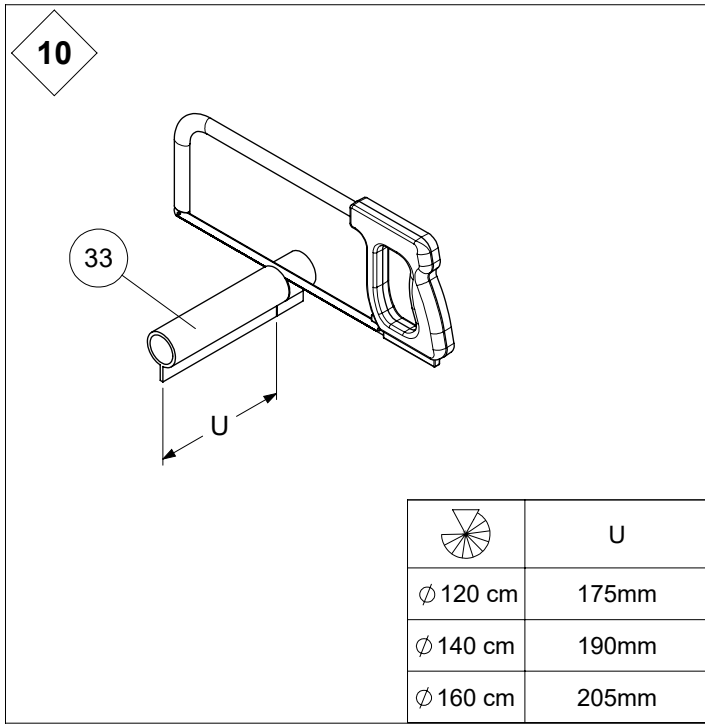
6

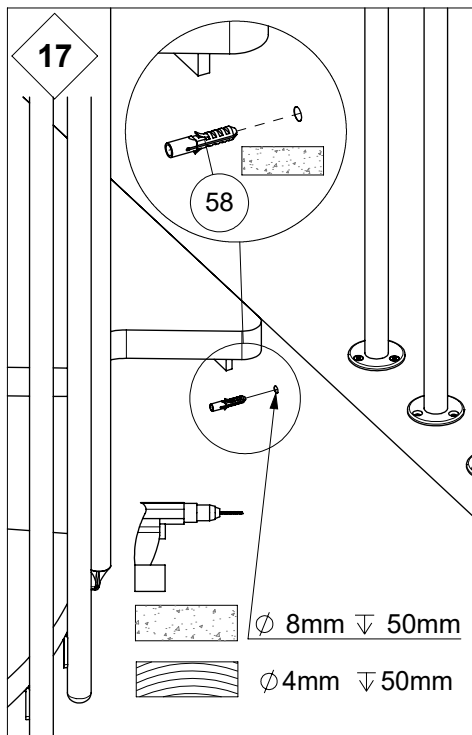
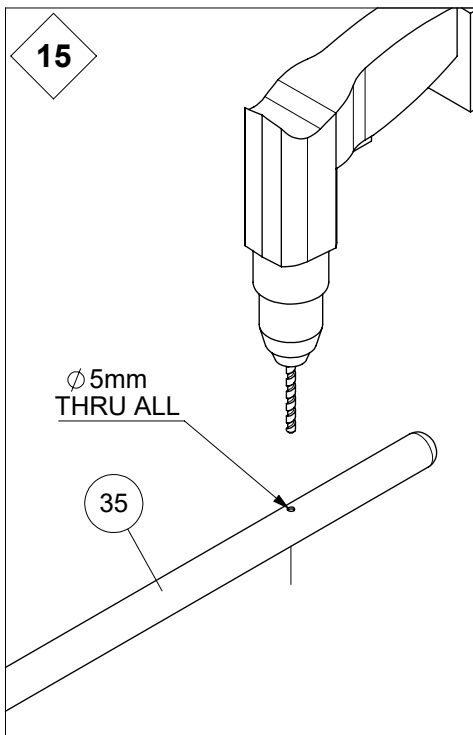
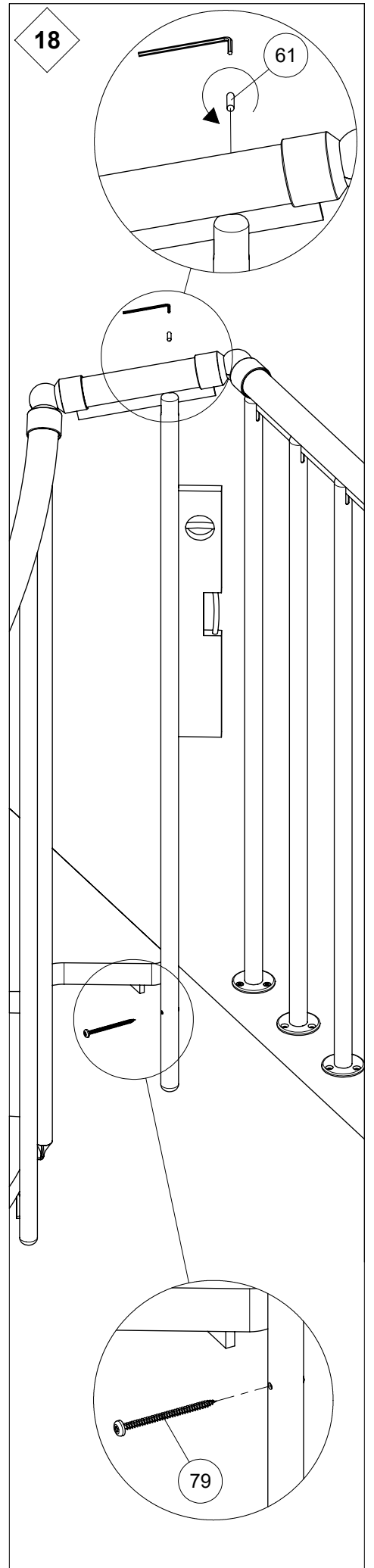
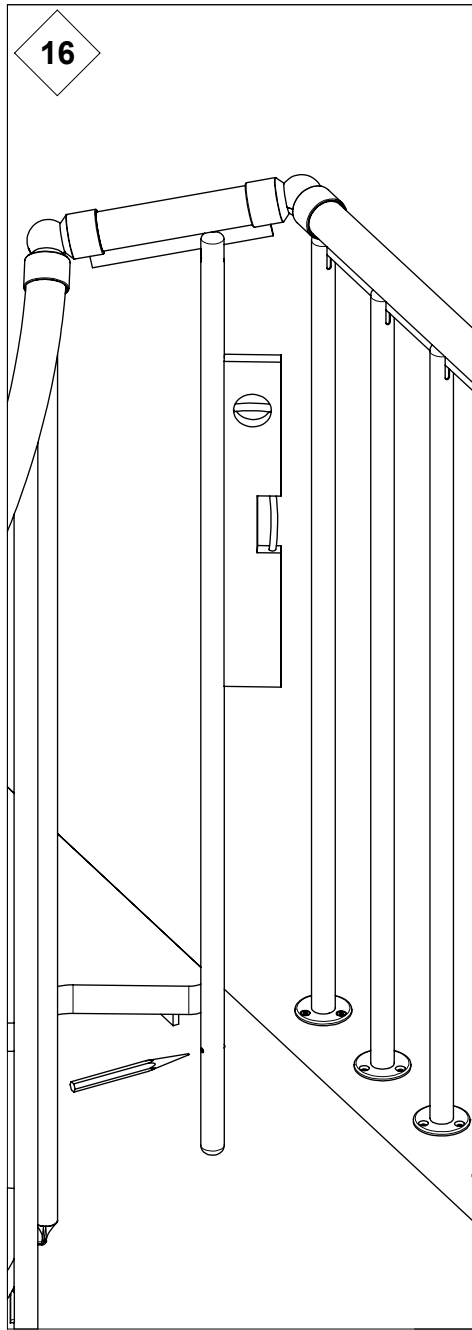
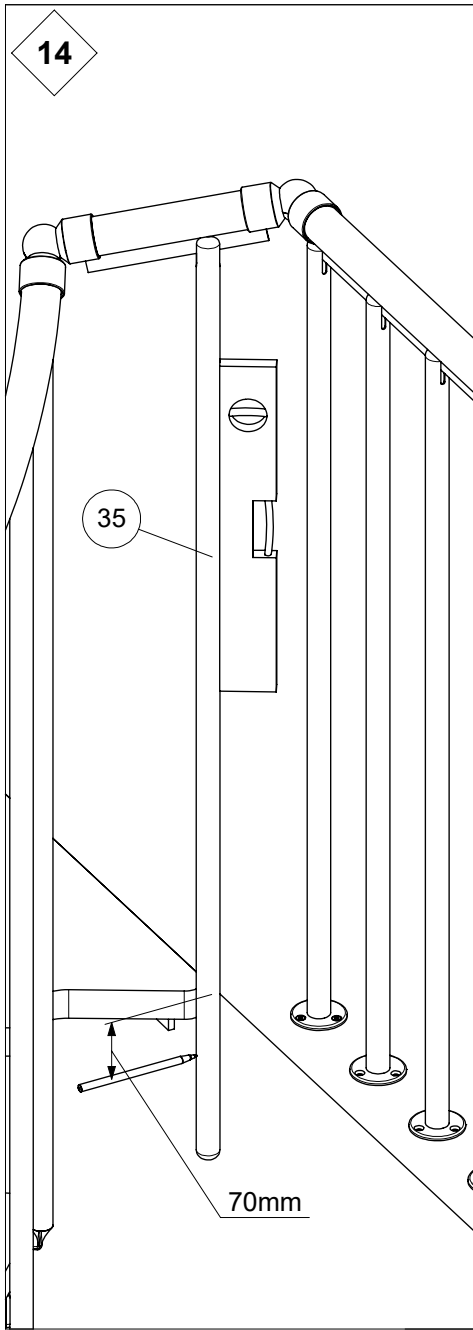


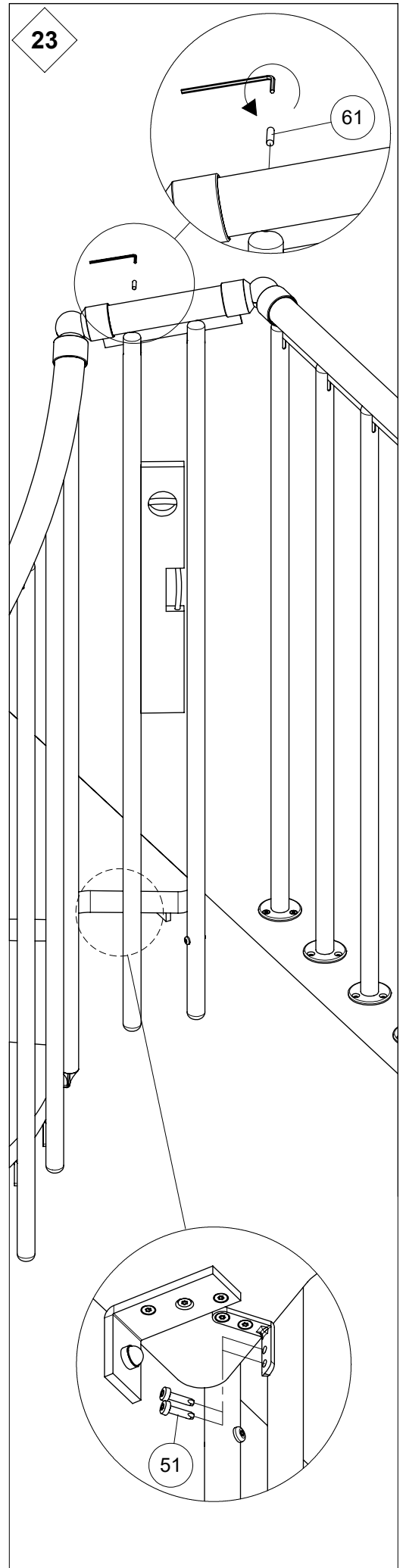
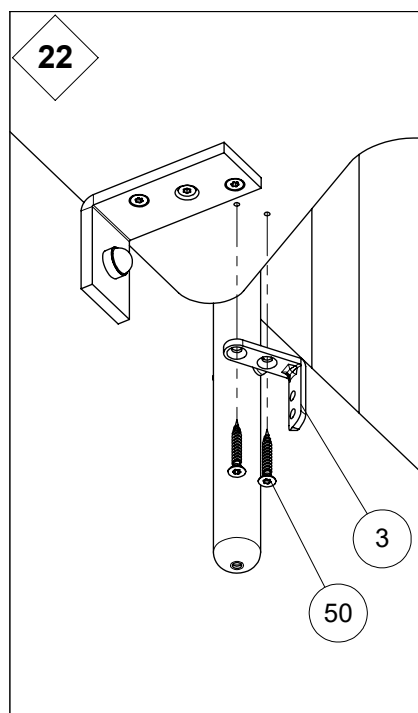
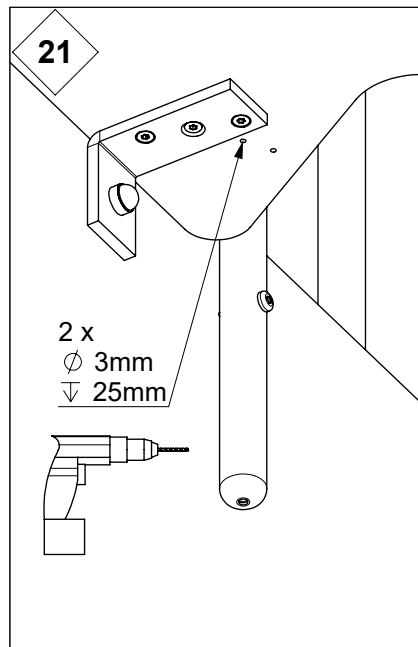
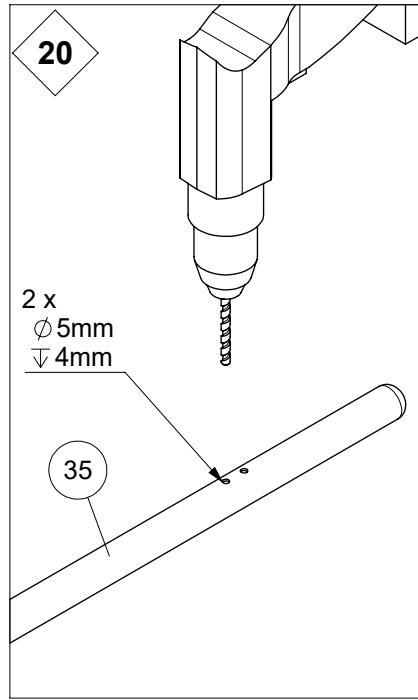
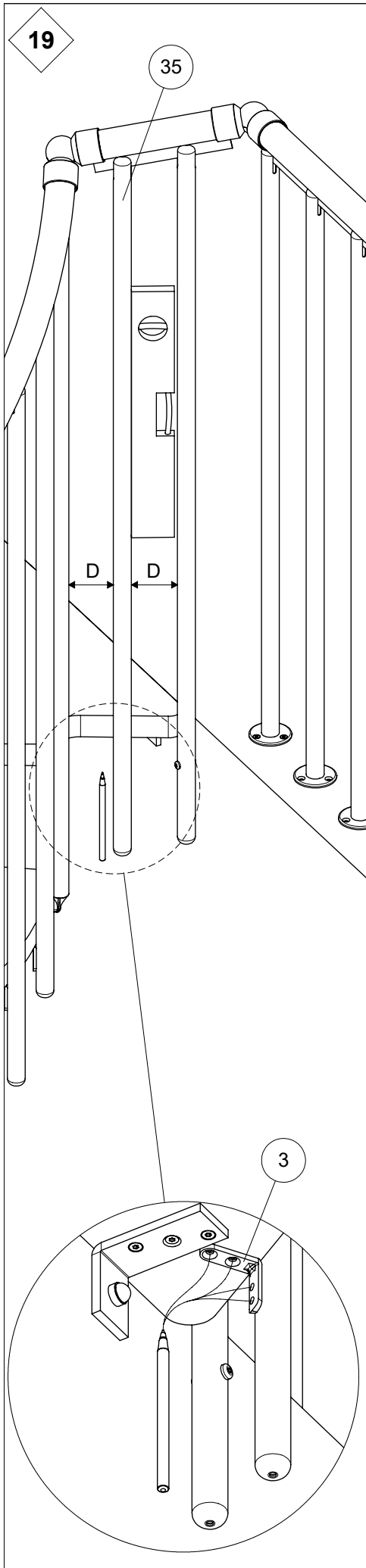
1000mm

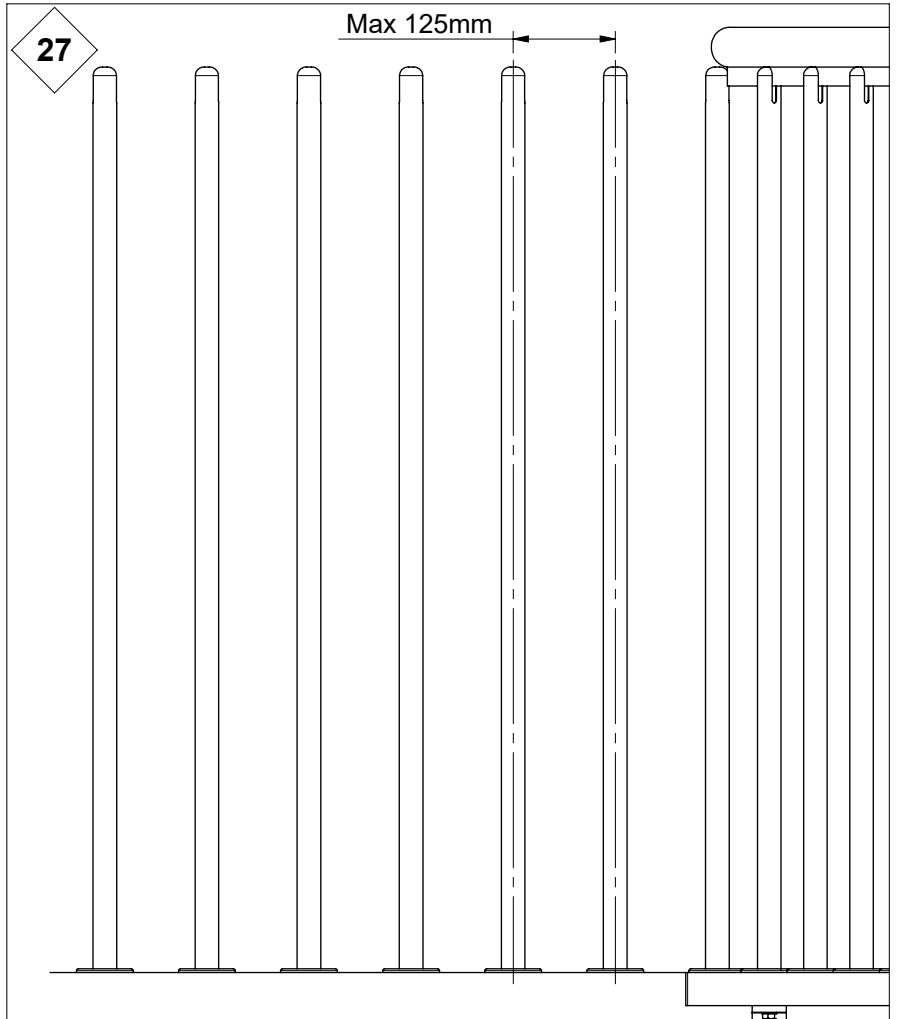
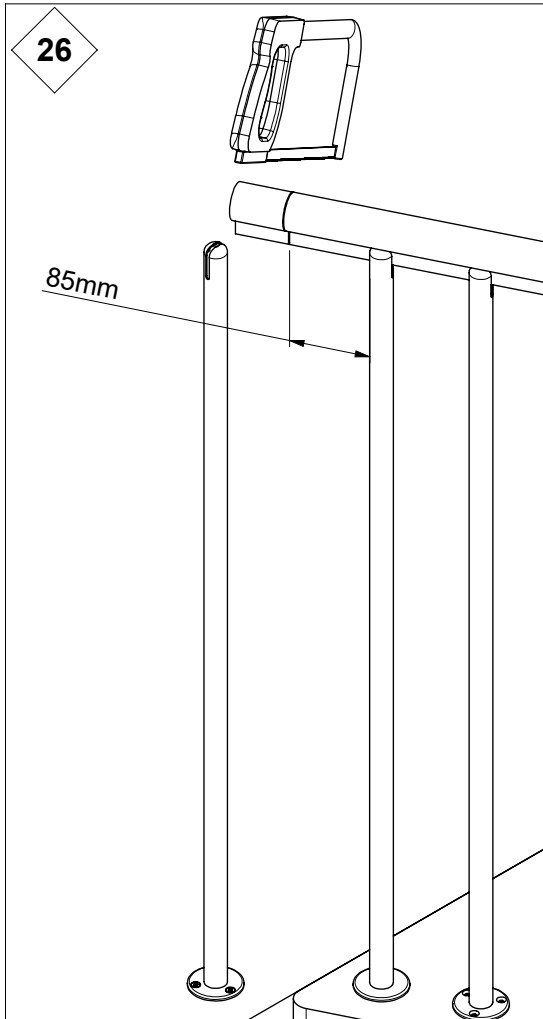
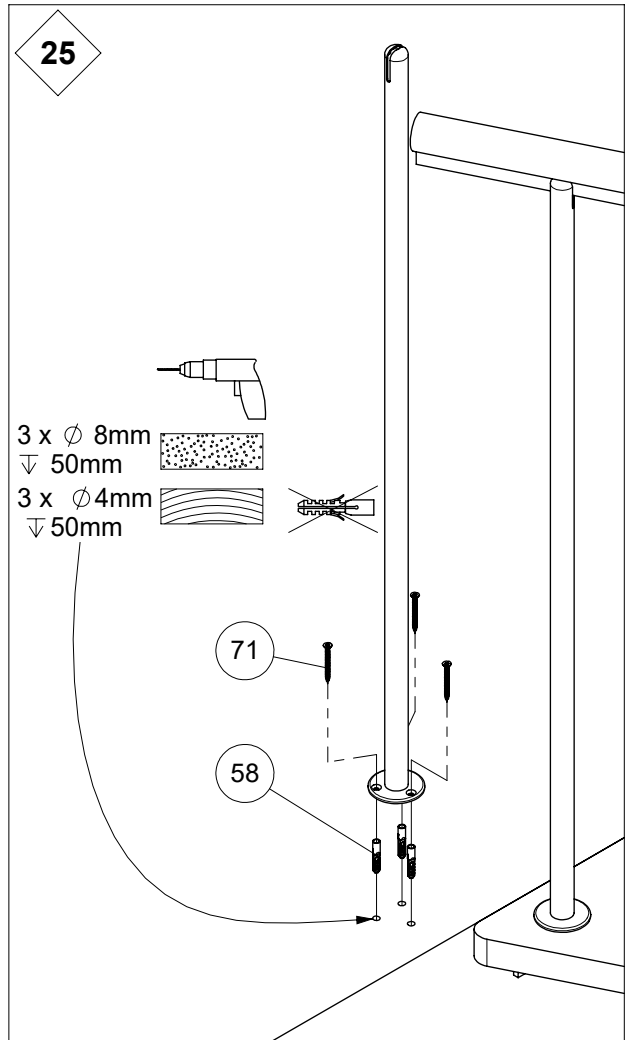
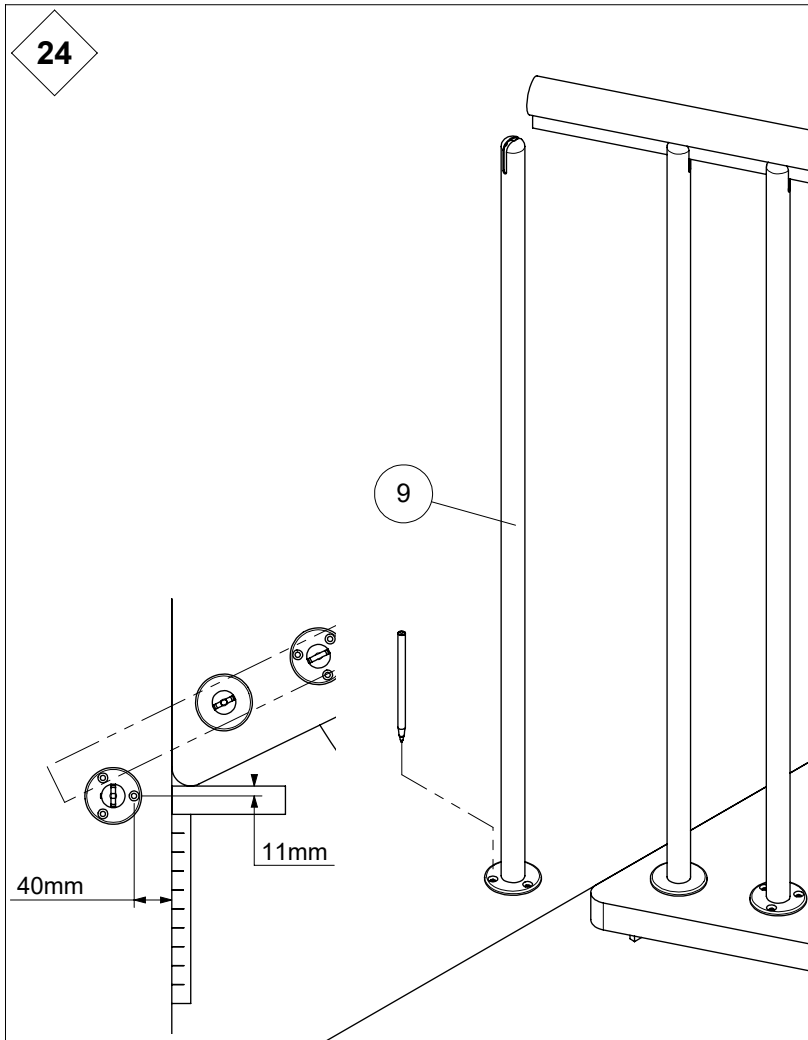
Y

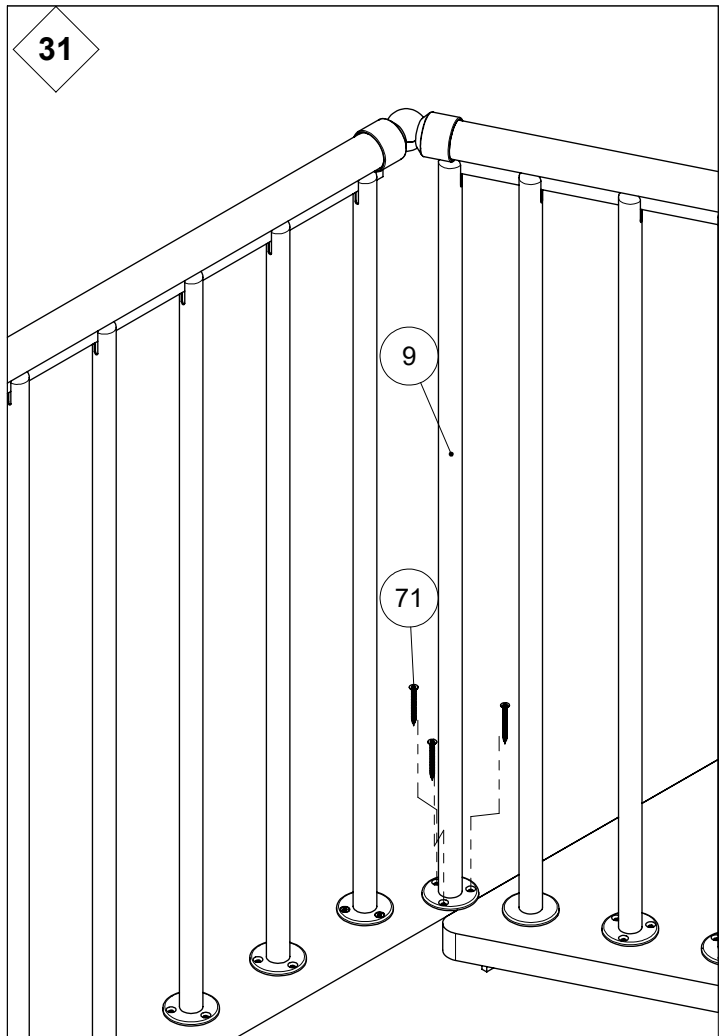
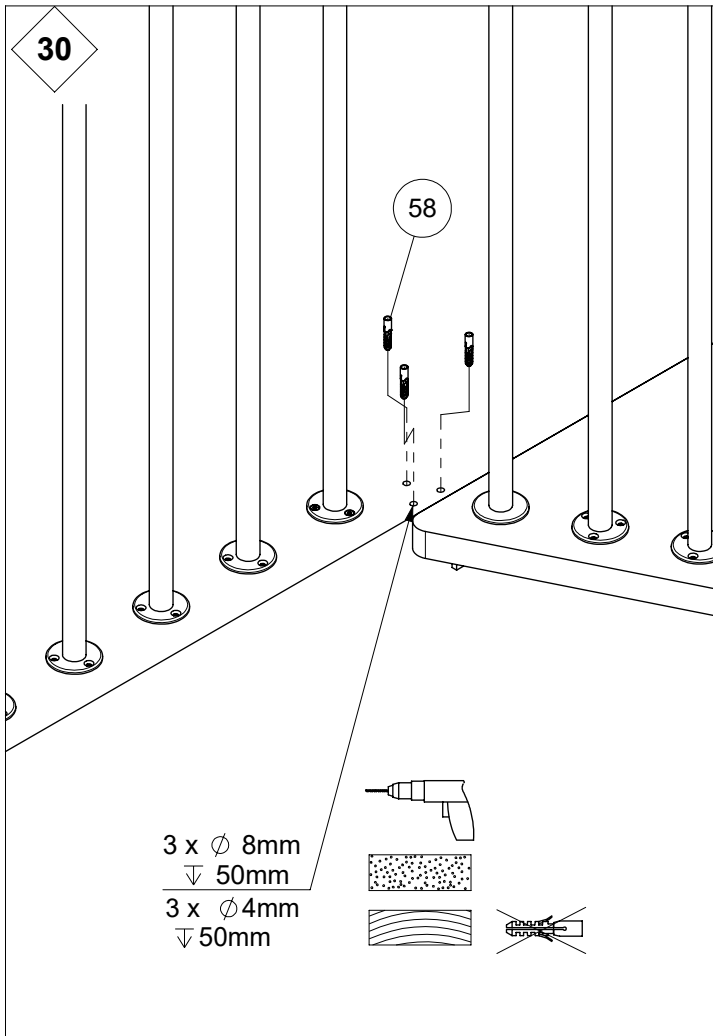
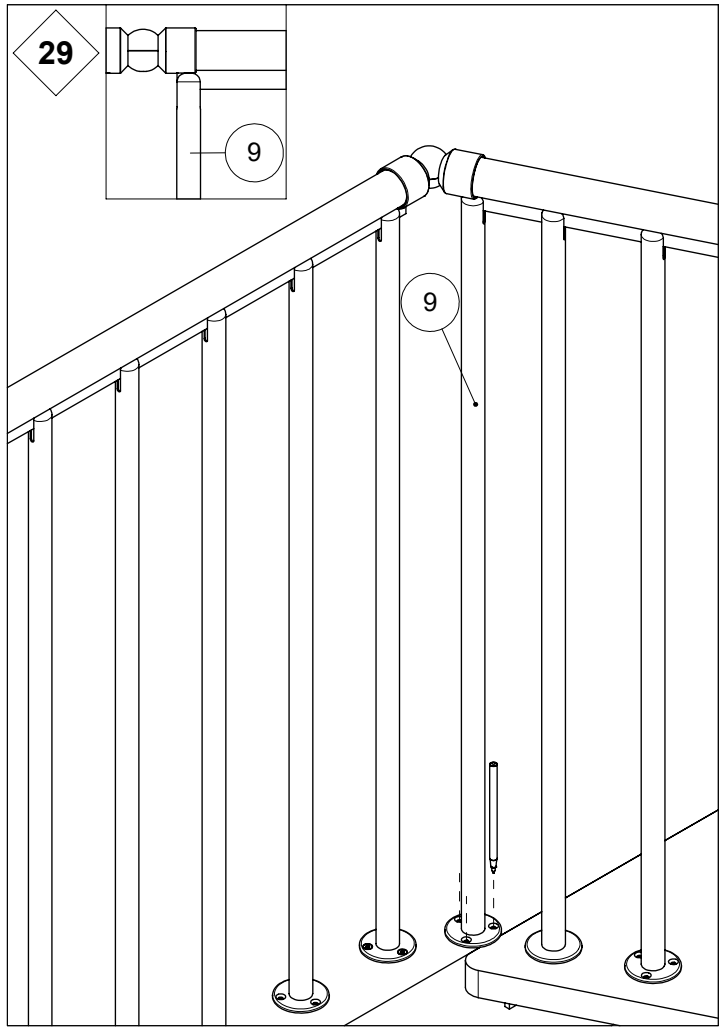
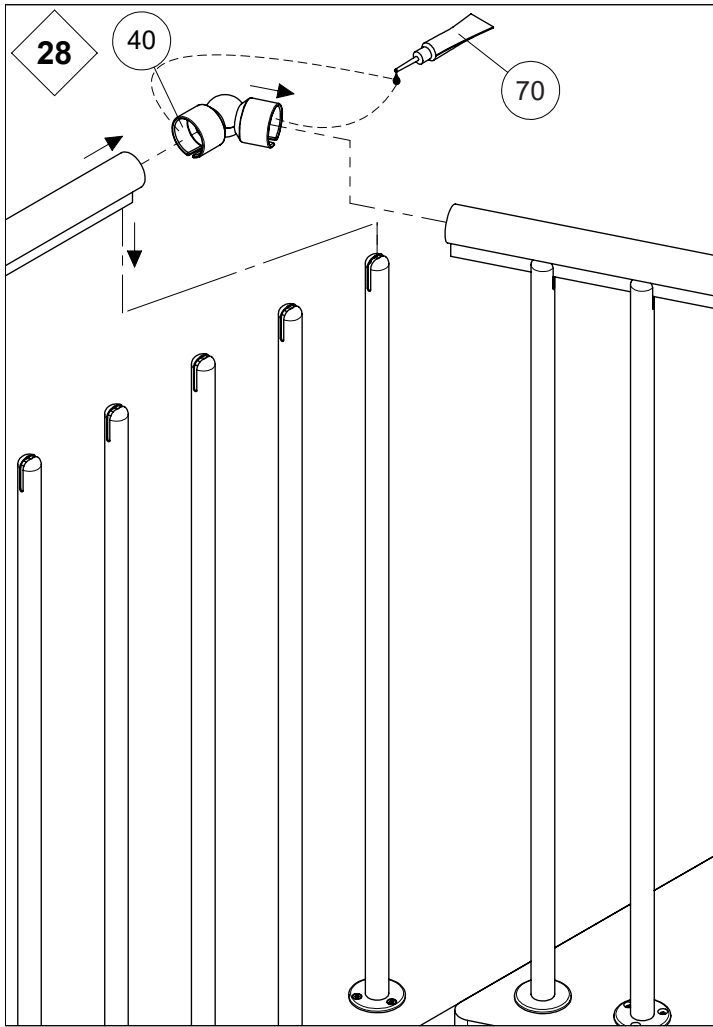


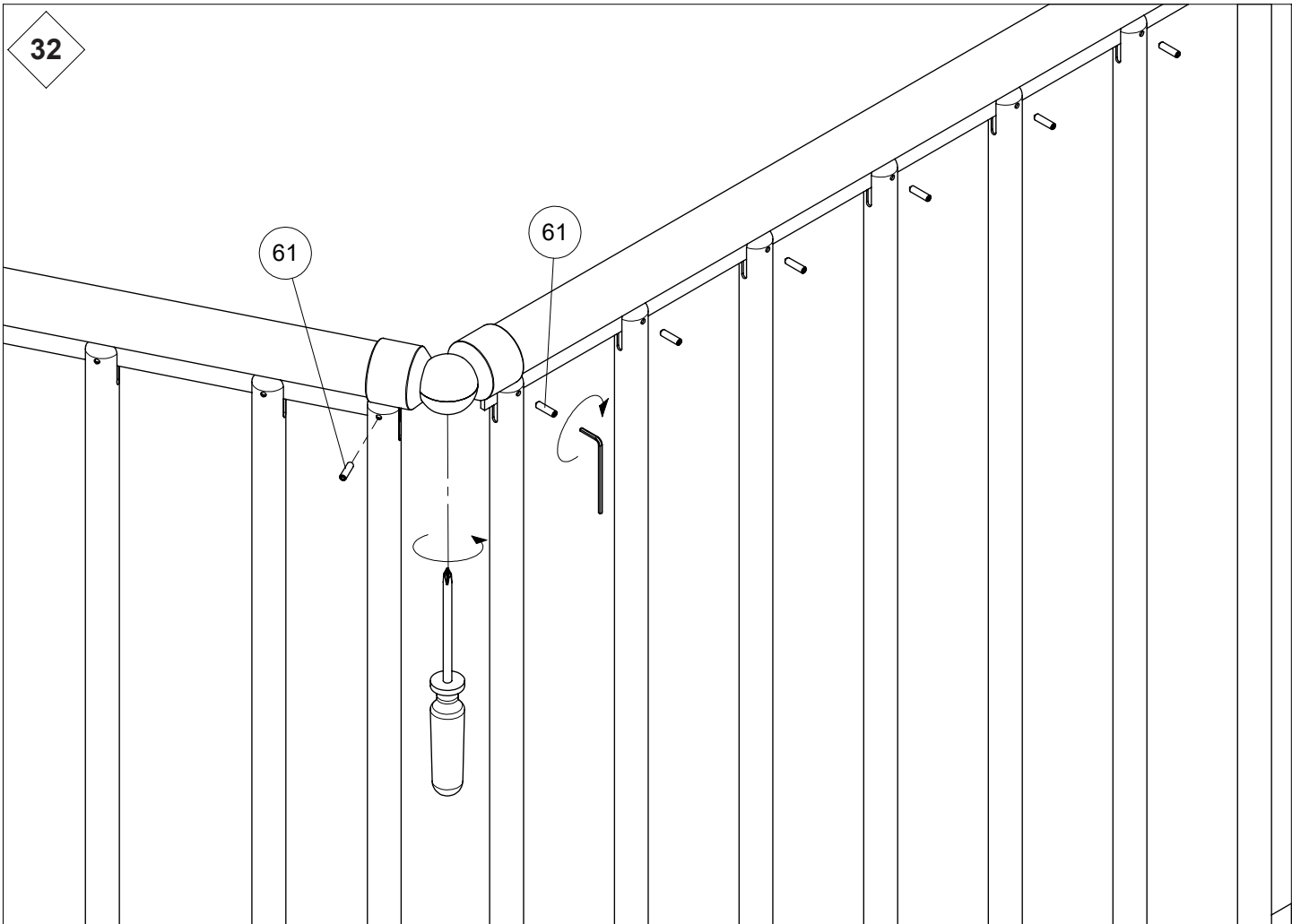


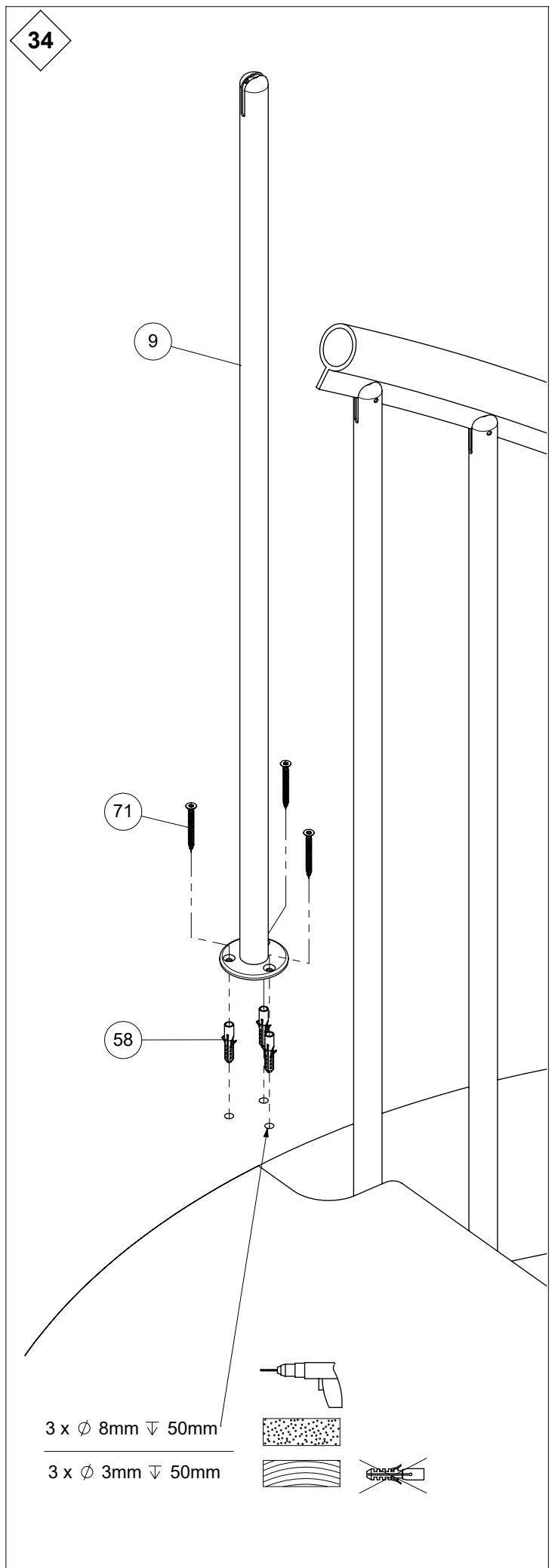
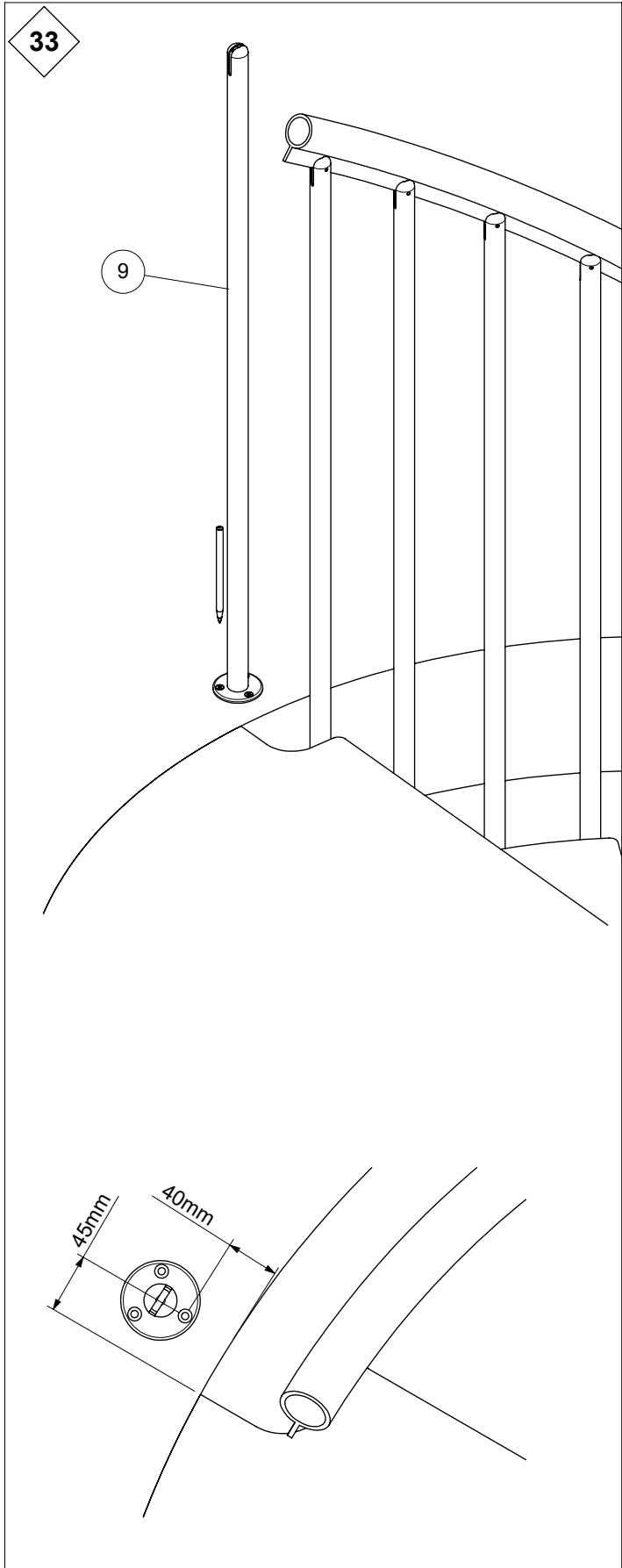
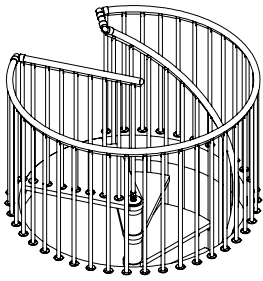




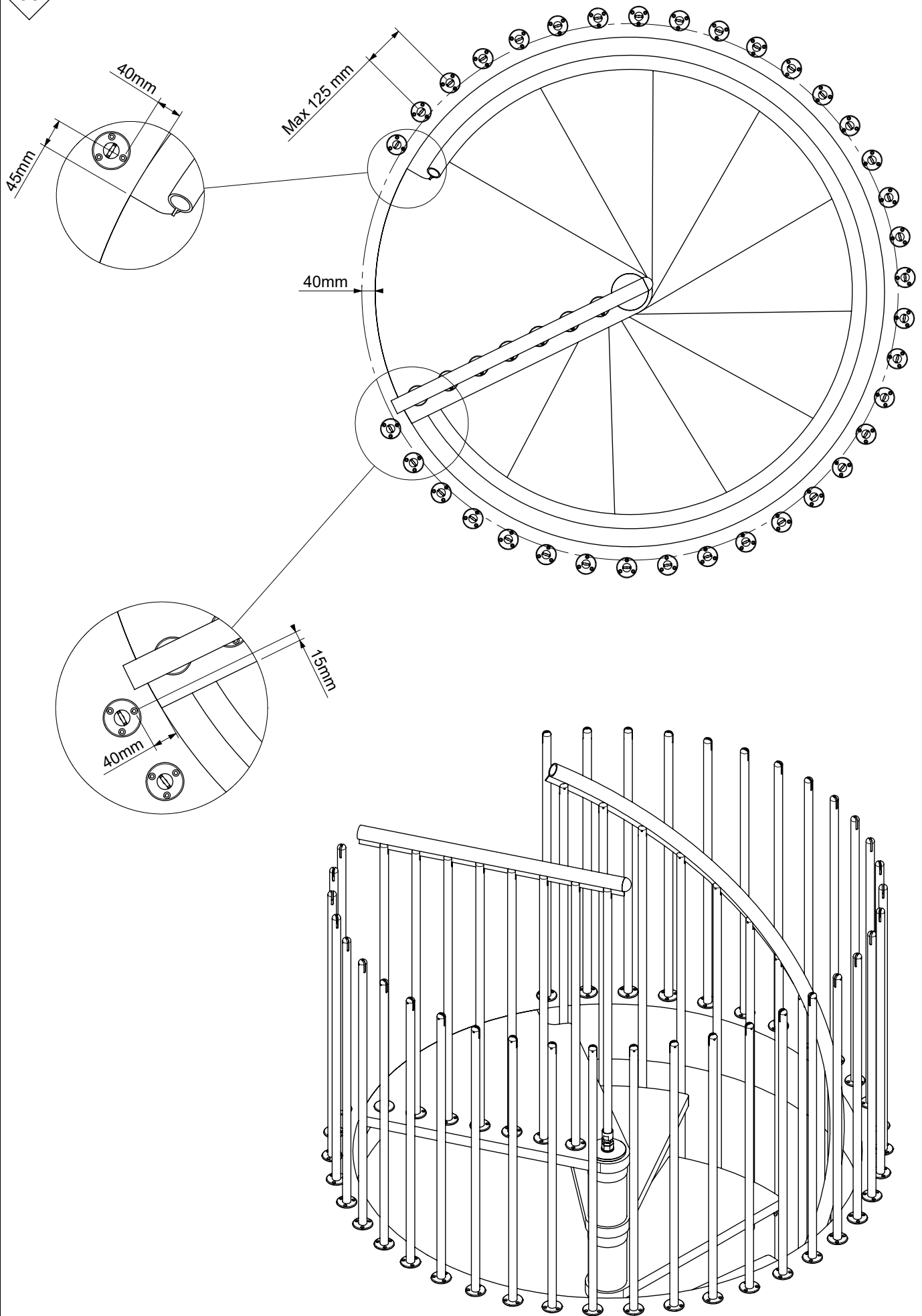


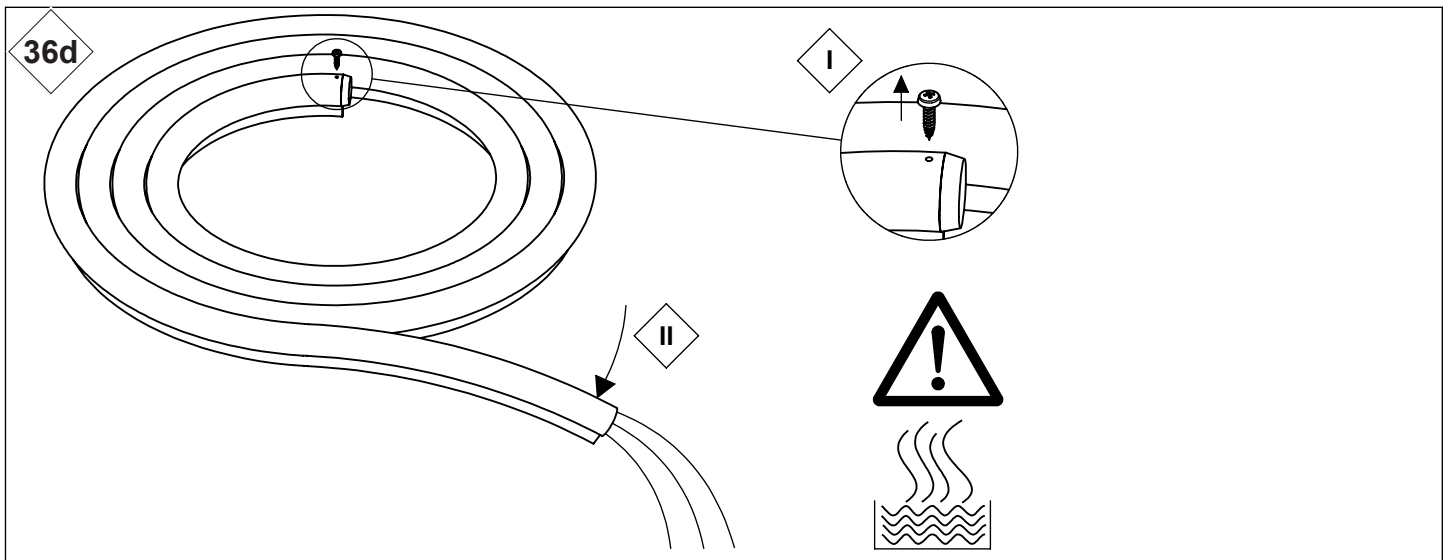
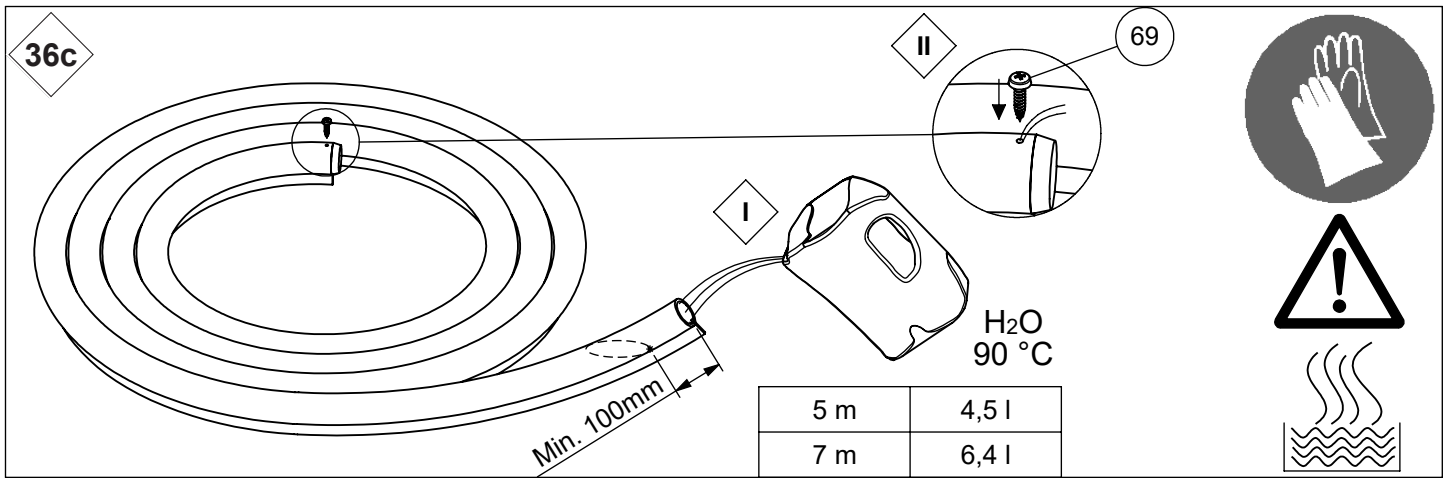
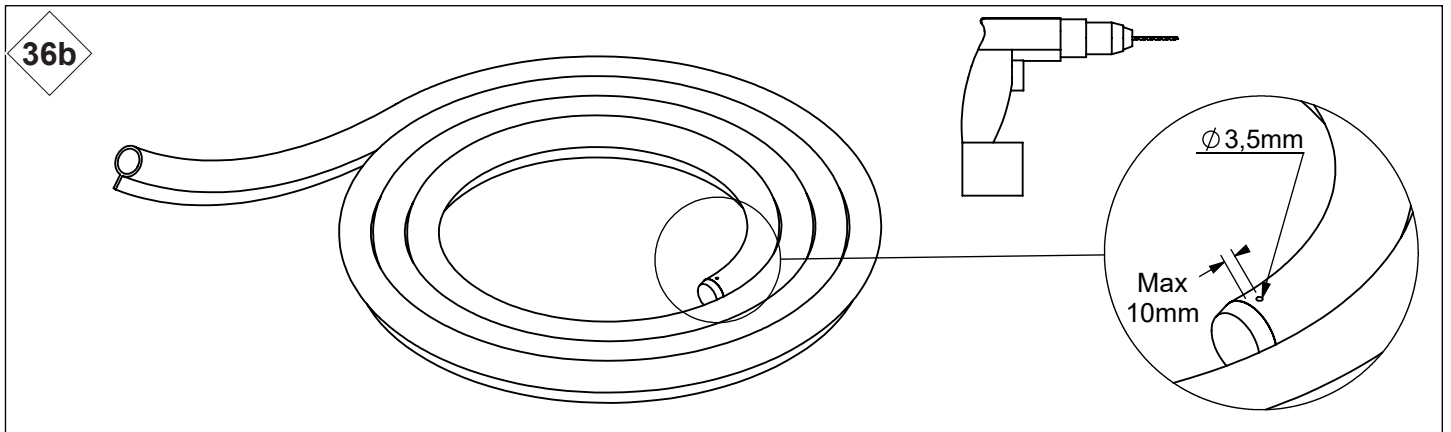
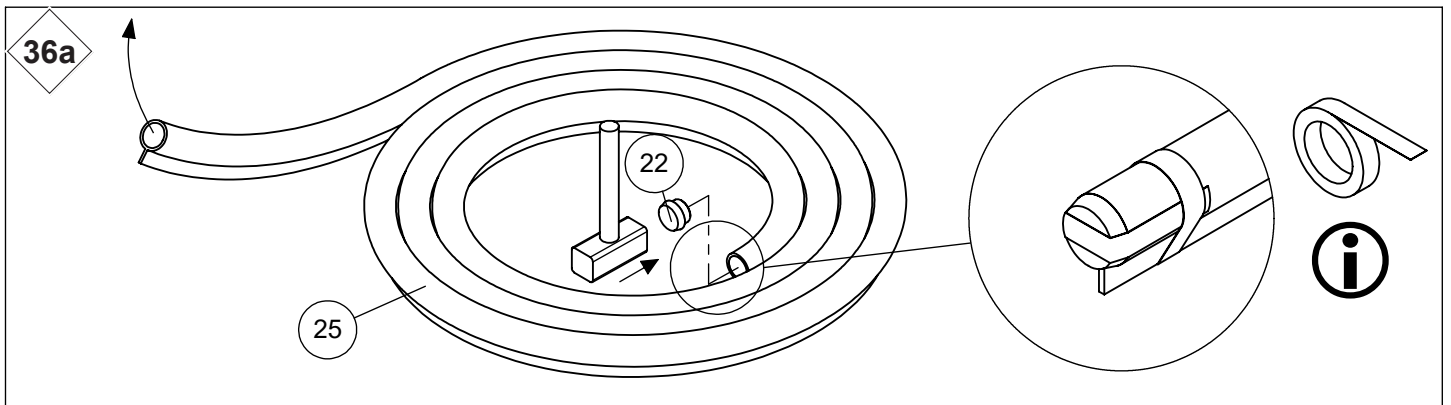
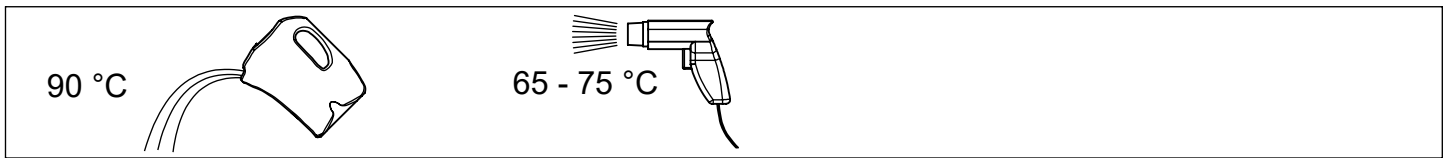


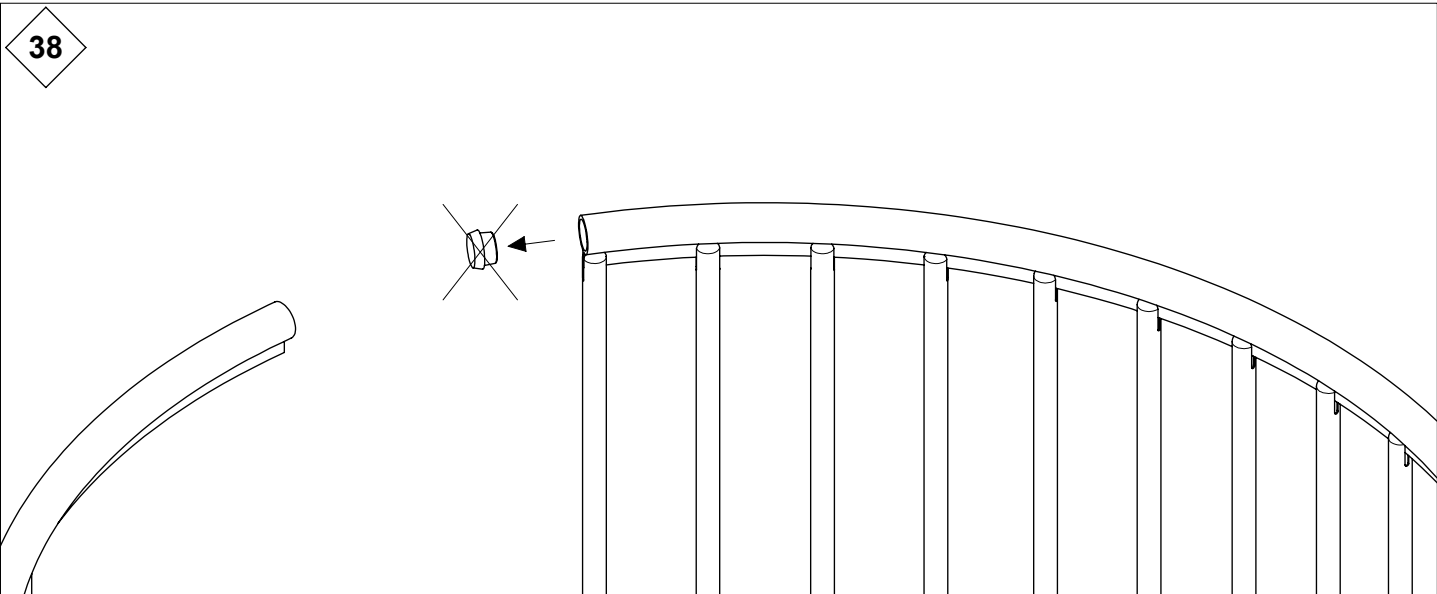
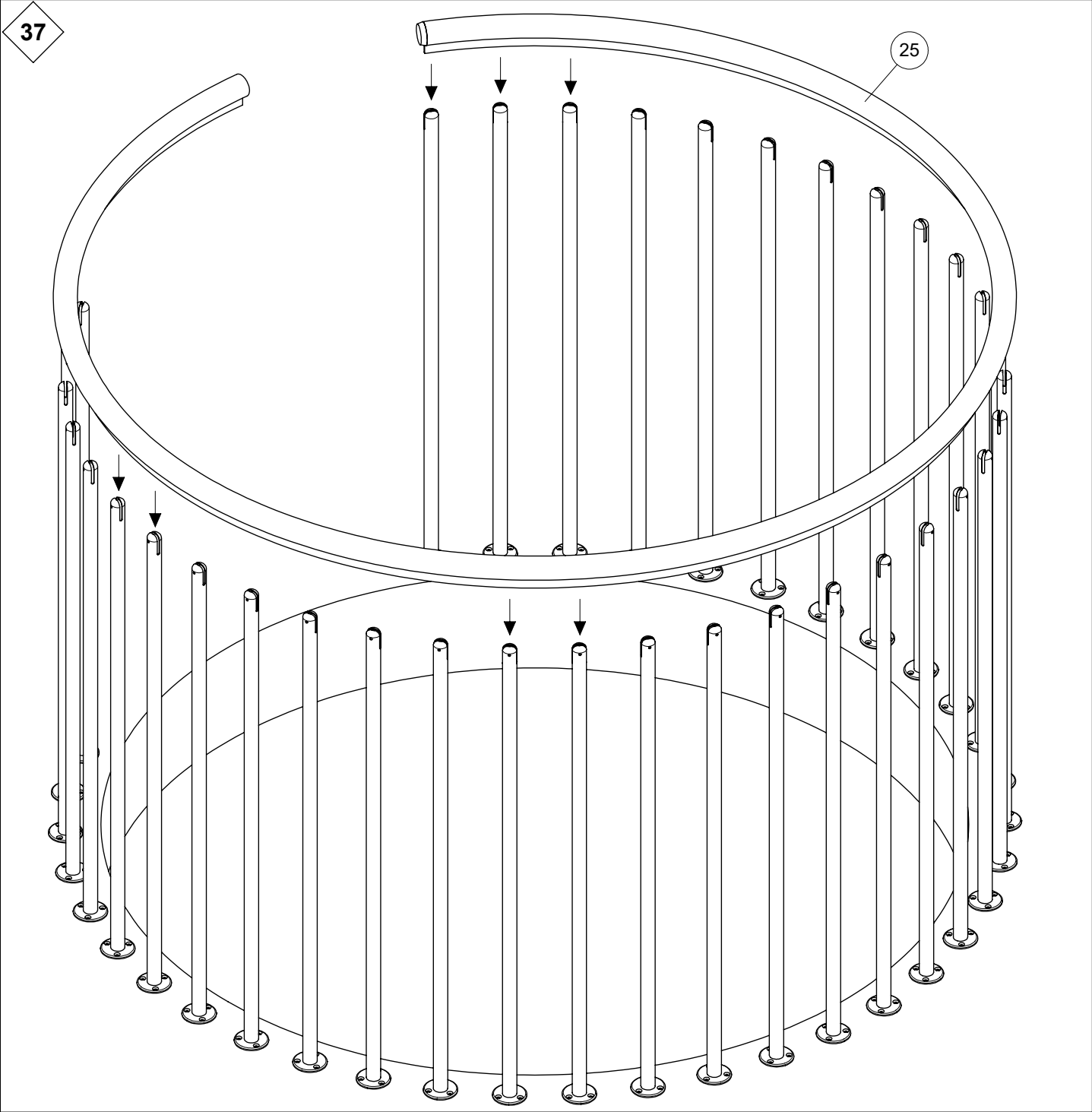




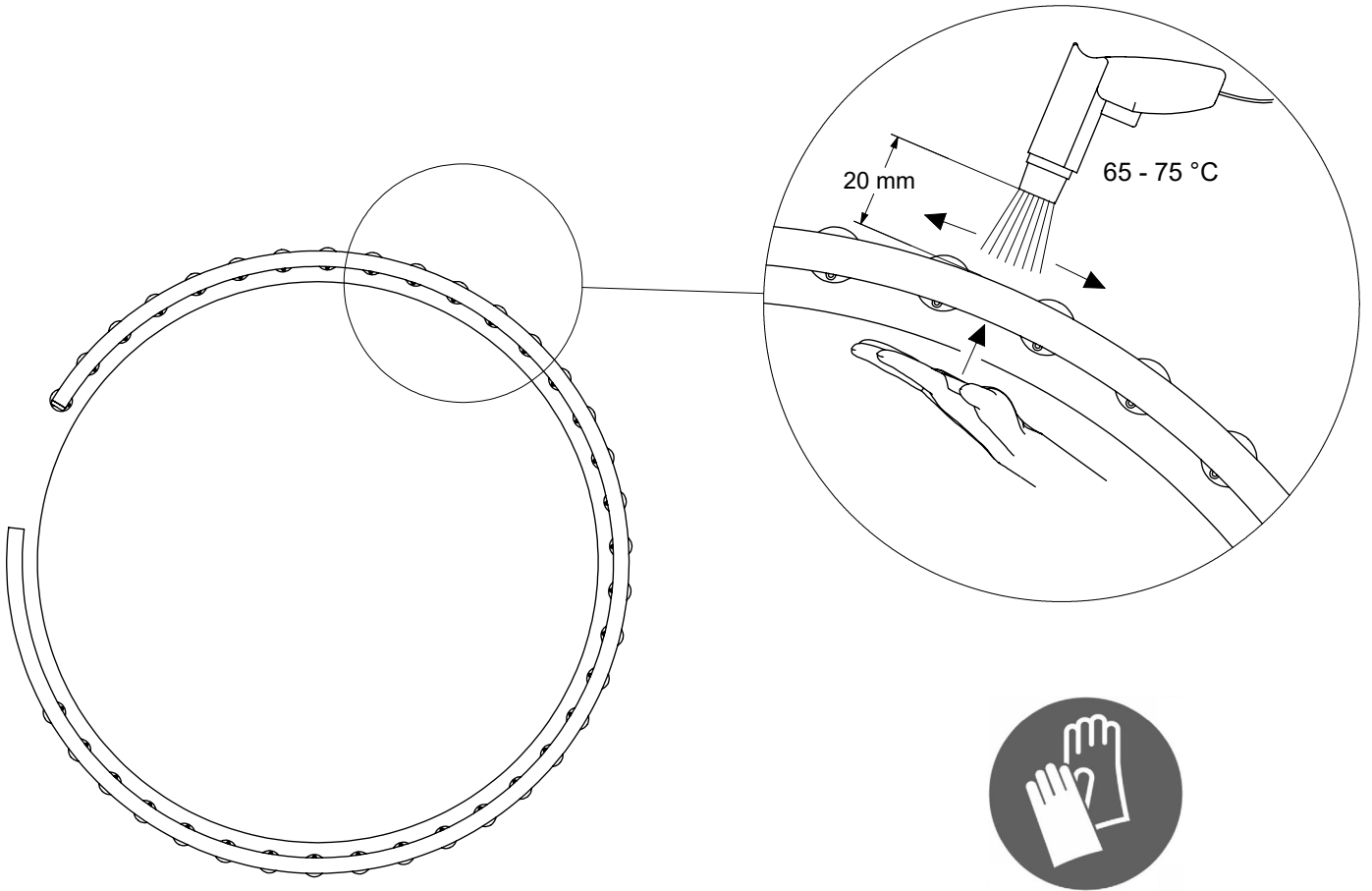
35



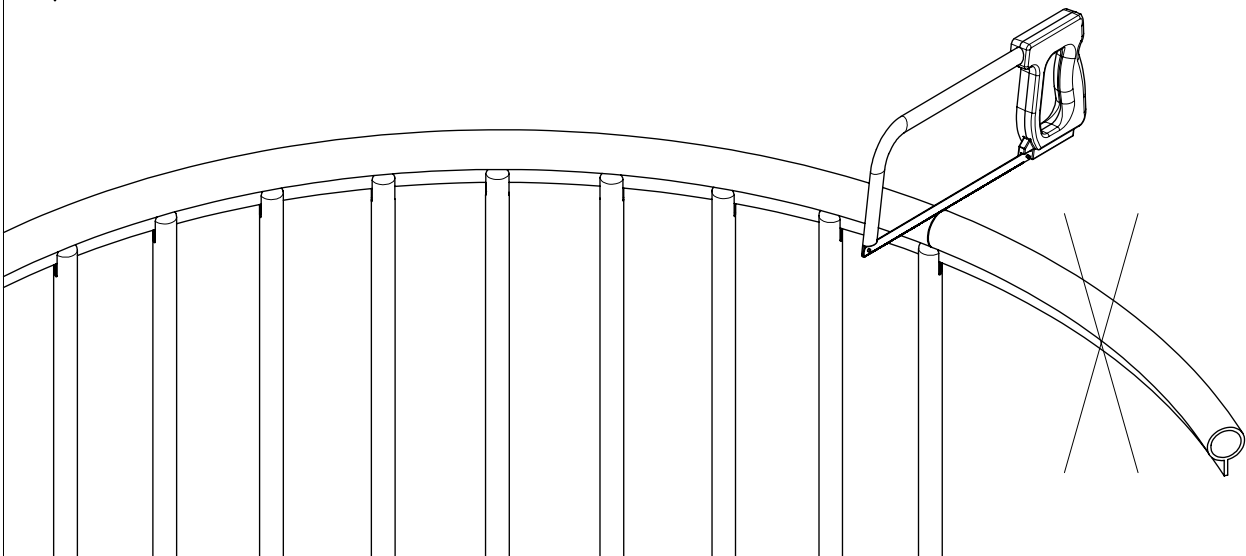


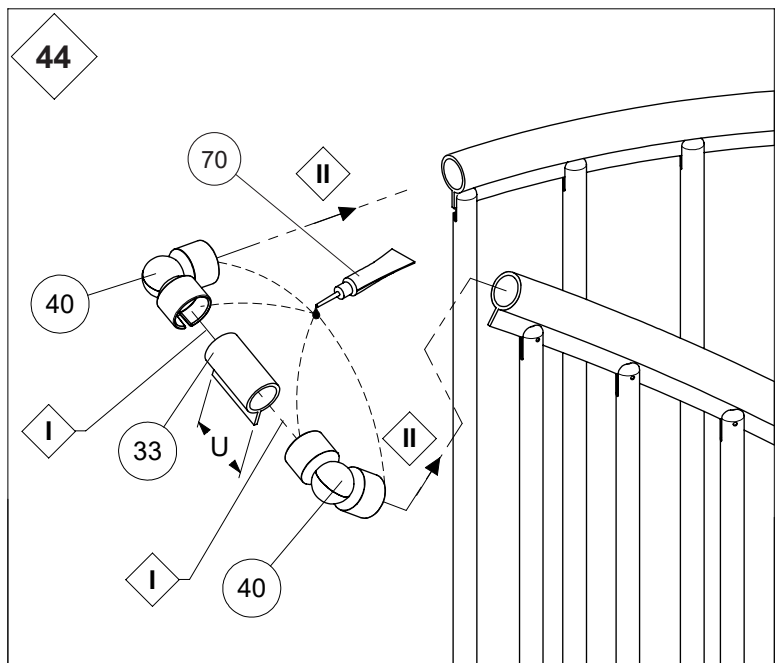
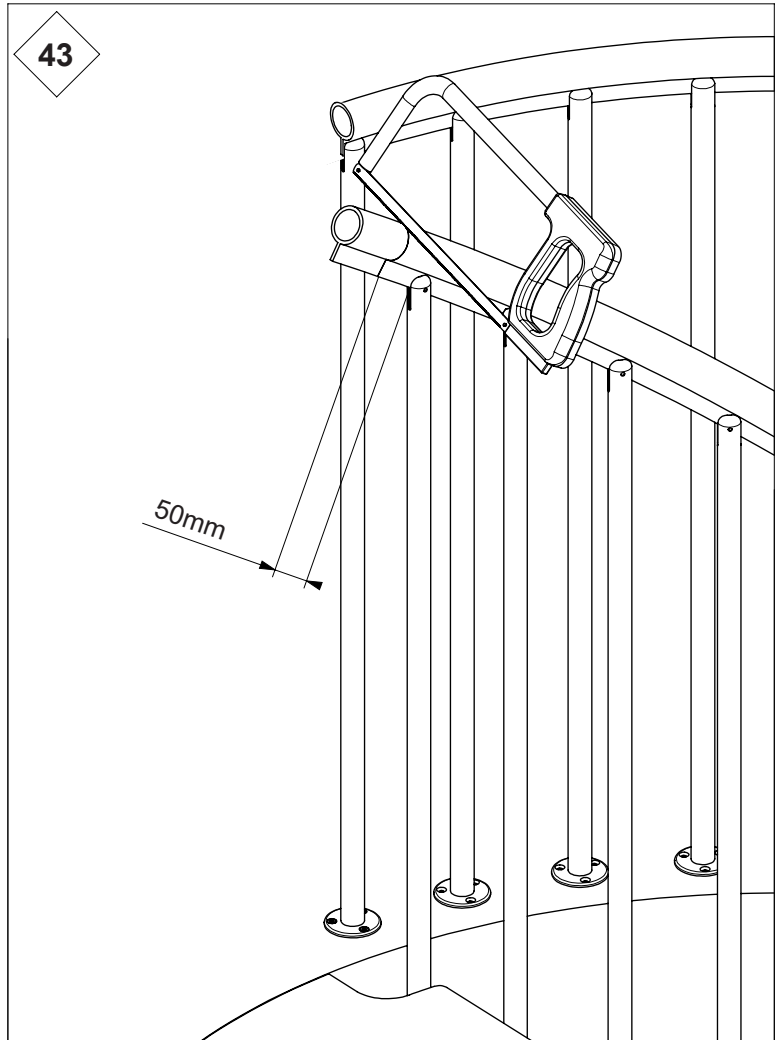
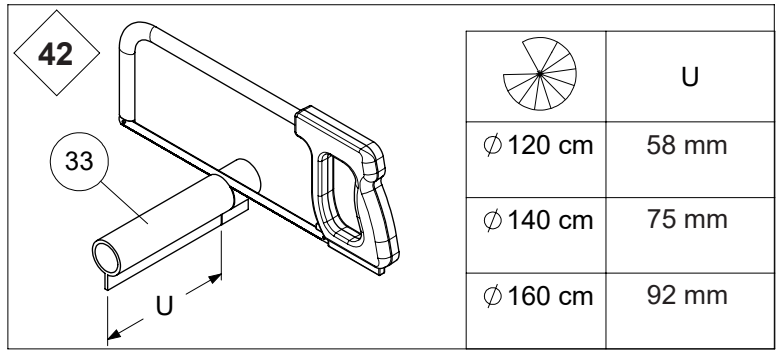
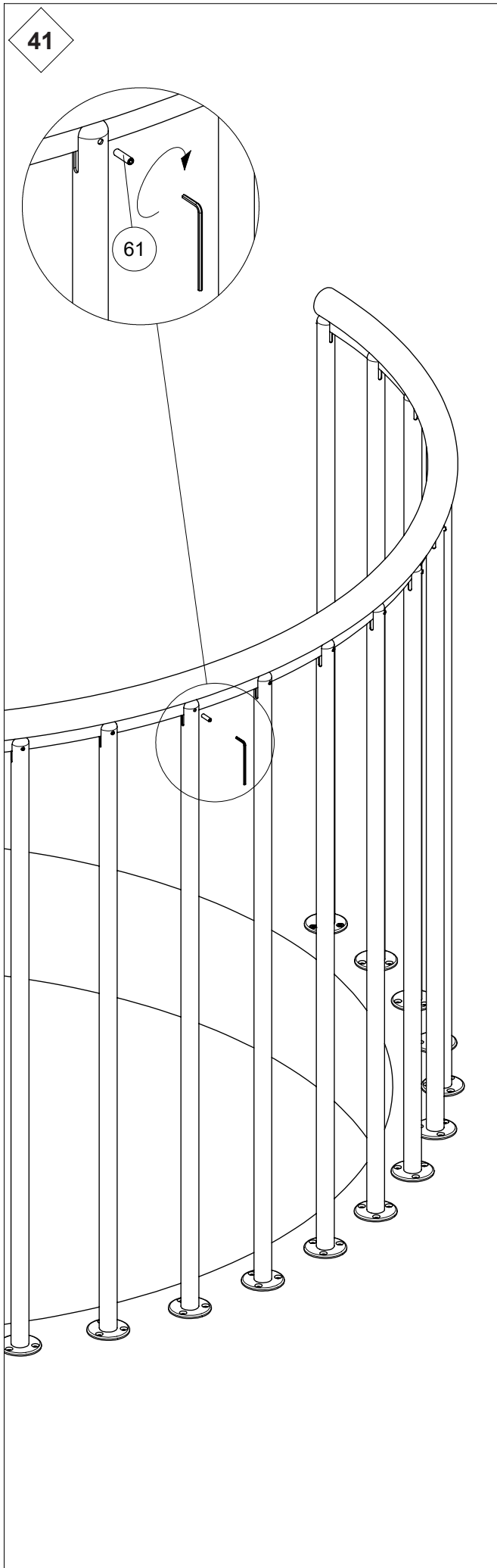


39

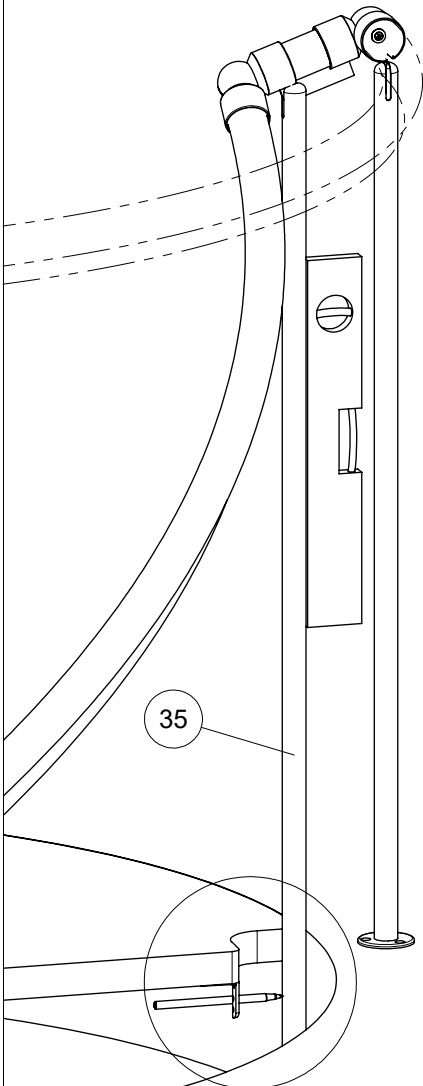


40





45

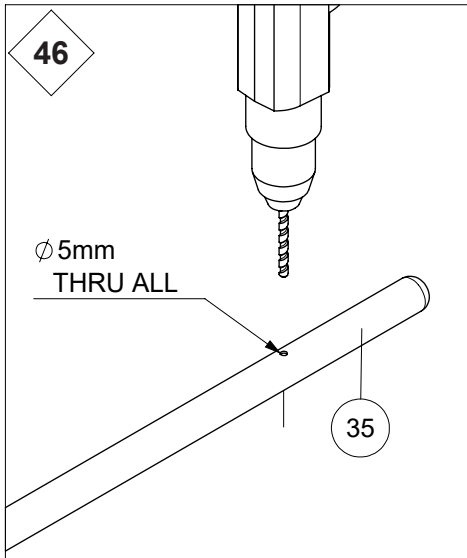


35

70mm

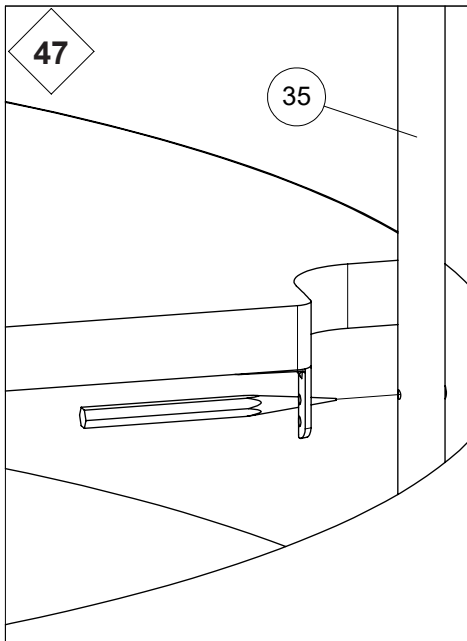
46

∅ 5mm
THRU ALL



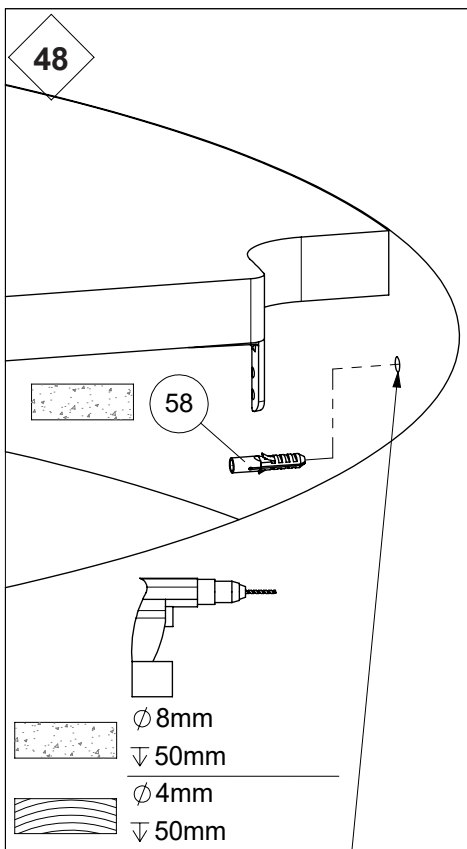
35

47



35

48



58

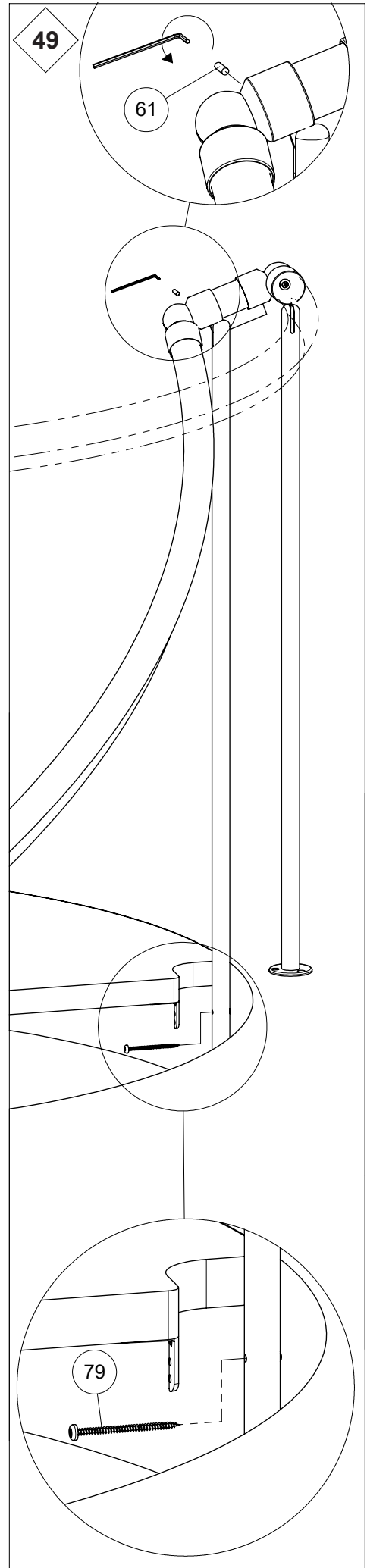
∅ 8mm

∇ 50mm

∅ 4mm

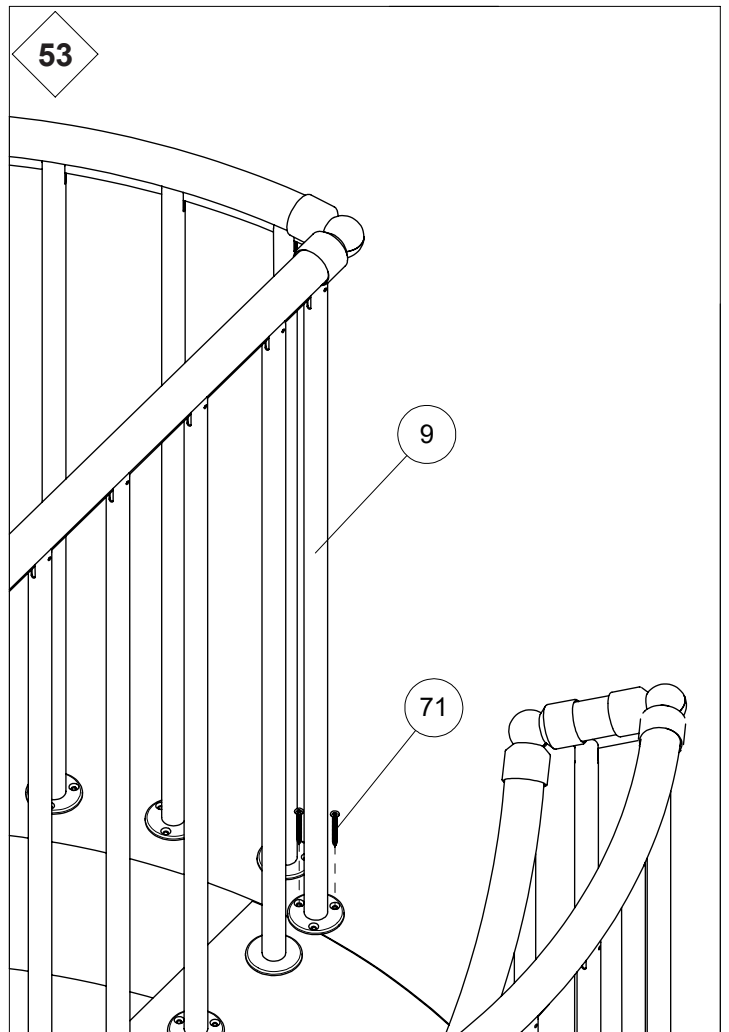
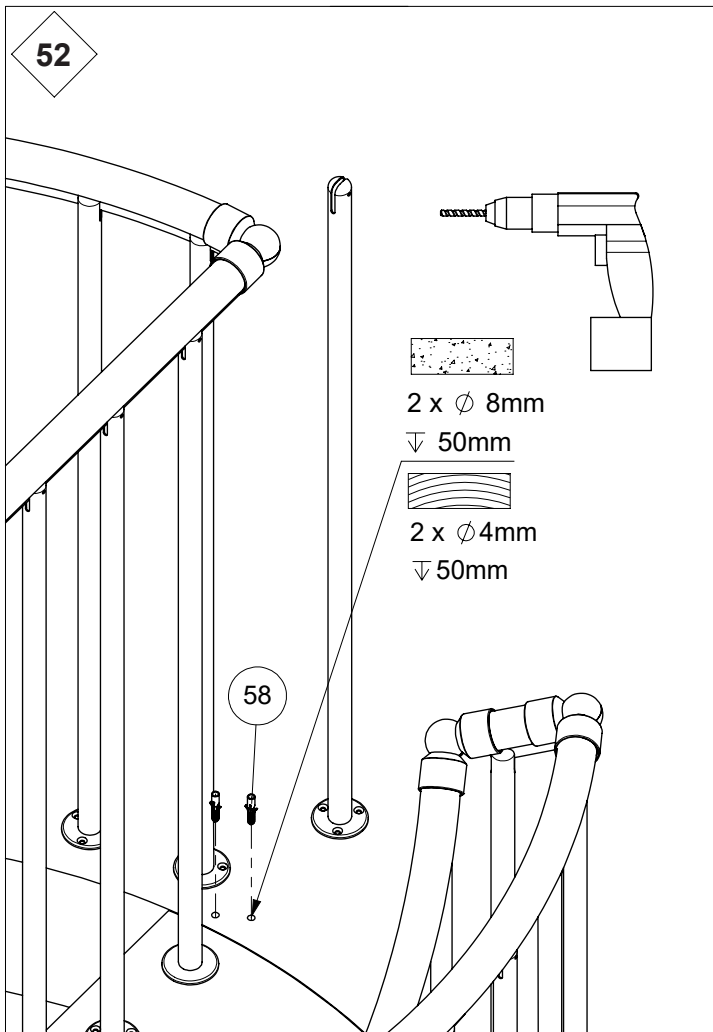
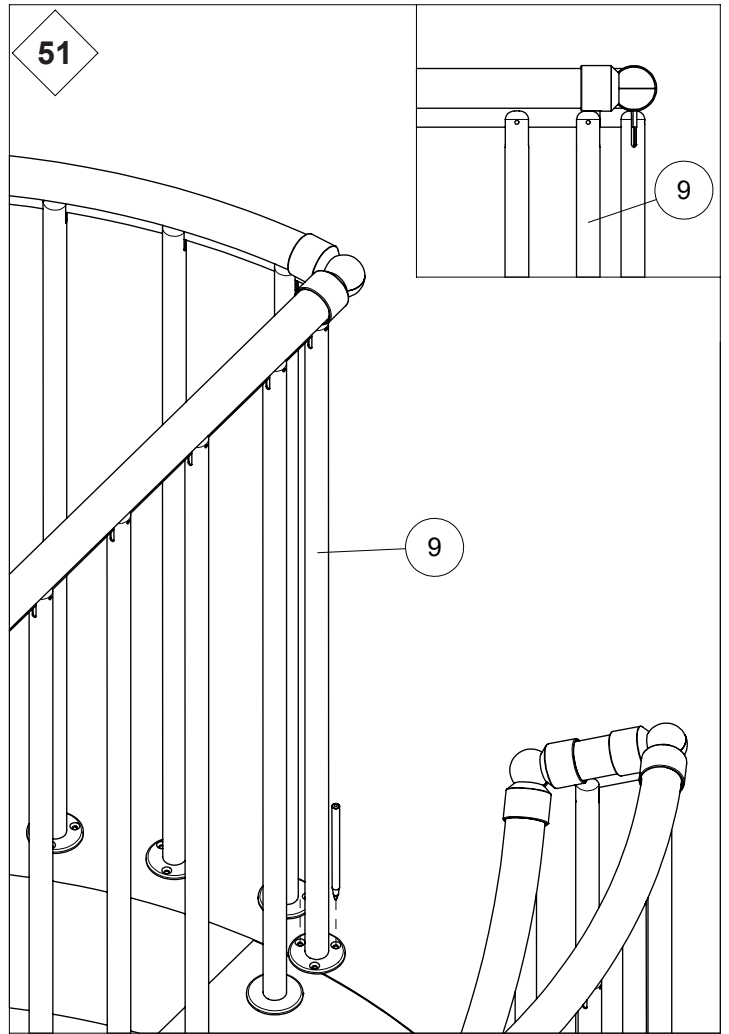
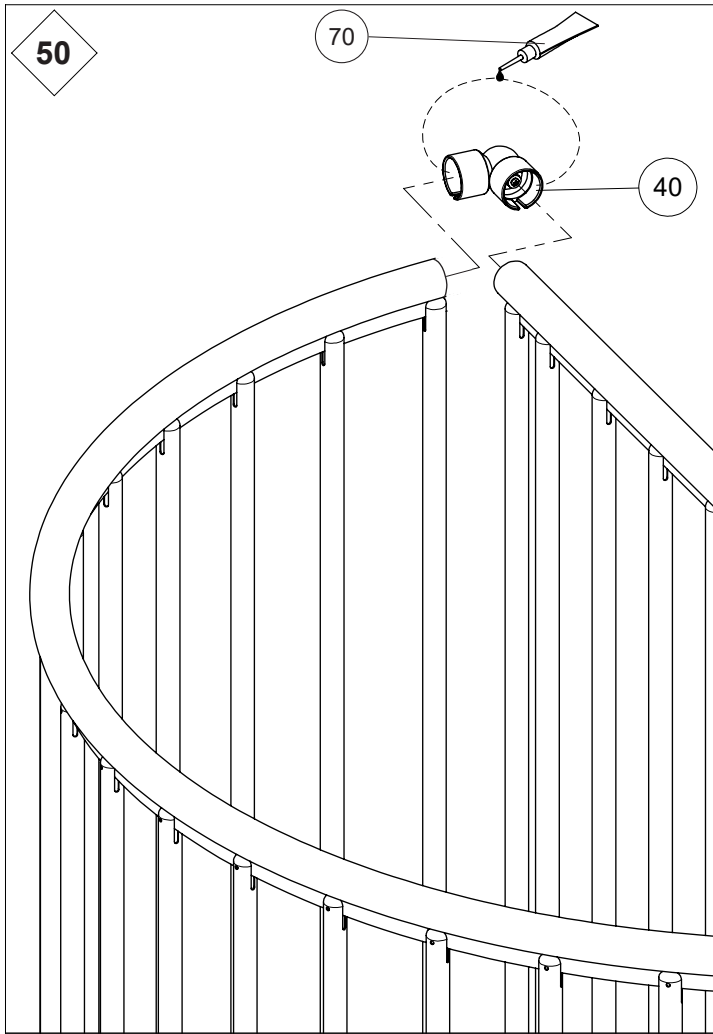
∇ 50mm

49

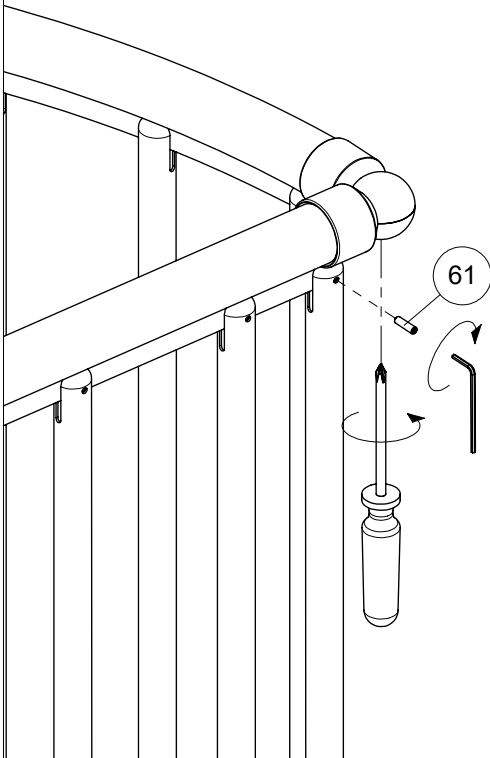


61

79



54



55

