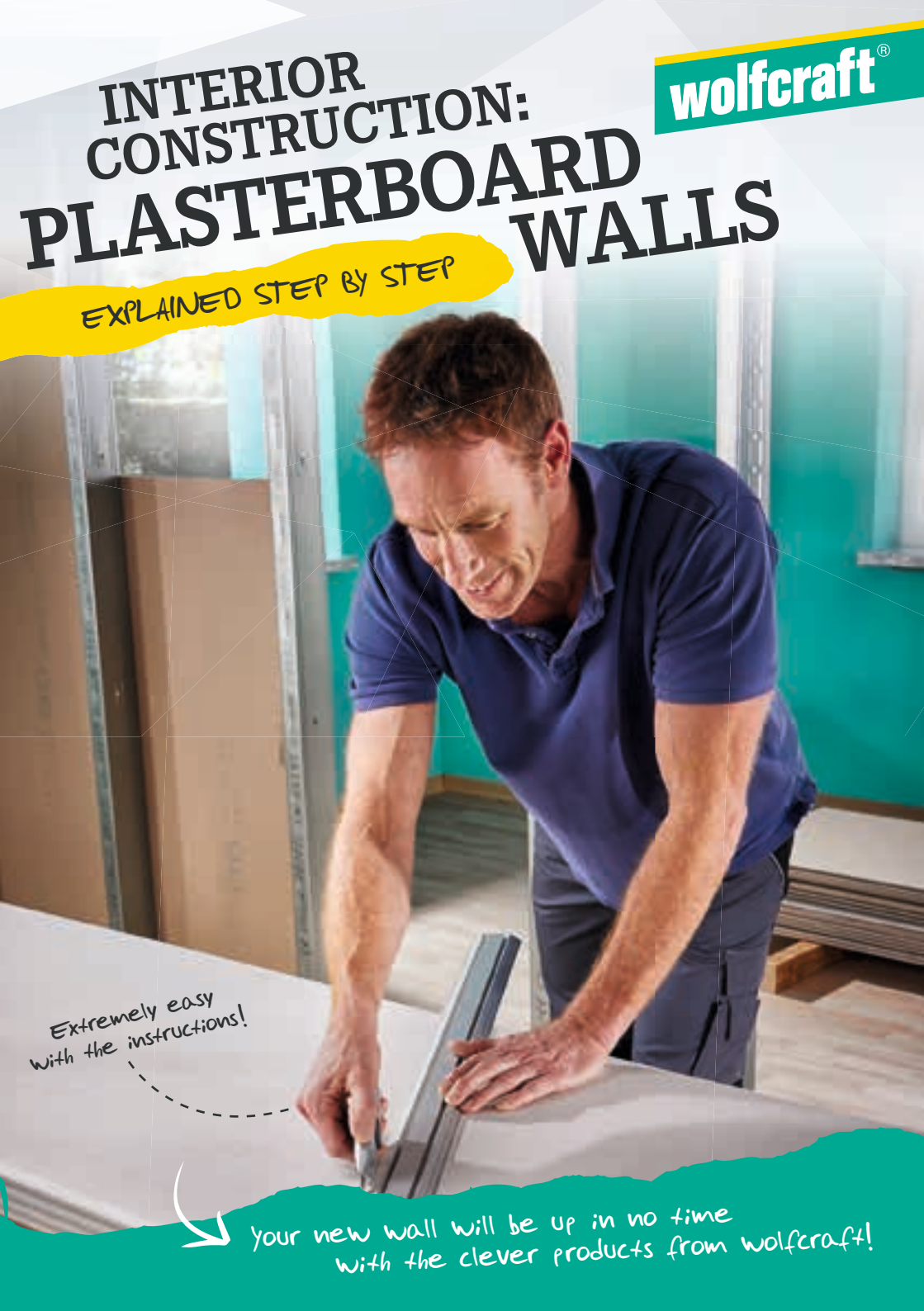


# INTERIOR CONSTRUCTION: PLASTERBOARD WALLS

wolcraft®

EXPLAINED STEP BY STEP



Extremely easy  
with the instructions!

your new wall will be up in no time  
with the clever products from wolcraft!

# INTERIOR CONSTRUCTION: PLASTERBOARD WALLS

## EXPLAINED STEP BY STEP

You need another bedroom for your offspring or space for a home office? Installing drywalls with stud frames and plaster boards is a quick and easy way of extending and converting the space inside your own four walls without interfering with the structure of the building.

Drywall construction saves you time and you don't have to wait for plaster or mortar to dry as with a conventional plastered brick wall. Another attractive feature: drywall construction is the ideal home improvement project, especially if you follow all the most important tips and have the right tools at hand! Even if you have very little experience, you can complete interior construction projects and achieve the desired working results at the first attempt using well thought out solutions.

This manual will guide you through every step of the project and explain all the important details that you need to know to construct drywalls and work with plasterboard. Well-founded tips and tricks as well as numerous application photos make this manual a useful reference guide that you can consult time and time again.

With this in mind, we hope you have lots of fun building, extending or converting your home and wish you every success. Let your ideas and wishes take shape!

**wolcraft** GmbH

Quick and easy  
with new  
wolcraft tools!



# CONTENTS

1. Planning and measurement	4
2. Tools and accessories	6
3. Building the substructure	9
4. Cutting plasterboards	12
5. Positioning	16
6. Cladding	17
7. Integrating installations	19
8. Smoothing	20
9. Sanding	23
10. Checklist and shopping list for tools	24

#### Exclusion of liability:

The described methods, techniques, suggestions and recommendations have been carefully compiled and tested by the author. No guarantee can be given, however. The author and/or wolcraft® are excluded from liability for any personal injury, property damage or pecuniary damage.

We reserve the right to make minor modifications relating to appearance, colours, dimensions and weights as well as technical details.

Images: wolcraft

© 2016 by wolcraft GmbH

Wolff-Straße, 56746 Kempenich

Service hotline: 02655 51280

All rights reserved. This booklet is protected by copyright. Any other utilisation other than that regulated by law must be approved by the author in writing.

#### Layout, graphic, set:

adhoc media gmbh, advertising agency

Obertal 24 d, 56077 Koblenz

[www.adhoc-media.de](http://www.adhoc-media.de)

1.

# PLANNING AND MEASUREMENT



*Good preparation is the first step to success.*

Careful planning should always be the first step when carrying out a drywall project. Where exactly does the partition wall need to be positioned? Where should the doors, electrical installations, cables, switches and sockets be located?

Use a plumb line or laser to mark the outline on the floor and transfer it to the walls and ceiling using a spirit level.

Measure out your wall and calculate the material quantities. Include approx. 10 % extra. You can find numerous quantity calculators online to help make calculations easier.

Buy all materials in the required quantity to prevent you having to stop halfway through.

Ensure that the plasterboard you purchase is stored horizontally in a dry location to prevent warping.

Before starting, have a look at our checklist on the back of this brochure to make sure you have all the right tools available at the right time and do not have to stop work halfway through the job.

### Here are a few more tips from our drywall experts that you should take note of during the planning phase:

1. When planning, make sure that sockets and switches are not positioned directly opposite one another on either side of the partition wall. For reasons of fire protection, make sure that the distance between them is at least the equivalent of the space between two vertical studs.
2. Is underfloor heating installed in the area where you intend to secure the stud frames to the floor? If so, ask the installer whether it is possible to drill holes in the floor or alternatively bond the stud frames to the floor using a suitable construction adhesive. Otherwise you run the risk of damaging the heating coils.

Incidentally, amateur DIYers with no prior experience can achieve perfect results in a very short time using a range of useful tools for fitting doors. The **PRO door frame assembly kit** from *wolcraft* includes two struts and two clamps for aligning and securing the door frame accurately in a horizontal and vertical direction. The set includes all the clamps you need to mount a door. The door can also be adjusted more quickly, easily and accurately than when using wooden supports or wedges. Alternatively, the **EASY door frame assembly strut** makes installation much easier. It is secured to the frame by means of a clamping plate, provides support during transport and assembly and makes the frame easier to align in a vertical and horizontal direction. Both installation aids are suitable for all standard external door dimensions between 600 and 1000 mm.



Are you planning to install large doors?  
If the doors are more than 90 cm wide or weigh more than 26 kg, you should use more rigid UA stud profiles in the substructure in place of the standard CW stud profiles. (see page 9: Selecting the right materials)





# 2. TOOLS AND ACCESSORIES

Good tools are essential for achieving perfect working results. Our recommendations will provide you an initial indication of which useful tools and accessories you will need to complete your drywall project successfully. In order to ensure maximum benefits and enhanced safety, we recommend choosing quality products manufactured based on years of experience in development right from the outset.

## Tape & zip door

Tackle renovation work in your own home with confidence using the tape & zip door from **wolcraft**. Building dust stays where it belongs: outside the door! Save yourself the hassle of cleaning and wiping dust from surfaces on a daily basis and focus fully on your work instead.



## Plasterboard cutter with rail

Cutting plasterboard has never been so simple! The new plasterboard cutter with integral rail saves you from continuously moving, turning and standing unwieldy boards on end, while ensuring precise cut edges. Boards are cut in three easy steps. The precision cut makes subsequent jointing work much easier.

Alternatively, the new moving T-rail with angle function guarantees precision cutting at exactly the right angle. You can mark out and make cuts accurately using the easy to read scale. (Fig. a)

The accompanying parallel and strip cutter with standard trapezium blade can be locked easily on the cutter carriage so you can make a series of guided cuts. (Fig. b)





## Edge trimmer

Even inexperienced DIYers can safely produce angled edges in seconds with the new edge trimmer. Simply place in position, draw along the piece of 9.5 or 12.5 mm plasterboard and you're done. The triple blade produces an accurate 35° angle in a single step with fine, clean-cut edges that can then be plastered over quickly without damaging the material.



## One-handed planer

*wolcraft* has developed a solid one-handed plane with an ergonomic handle design for efficiently reworking surfaces and edges. The 150 x 57 mm rasp surface is extremely efficient, while the compact shape means that the planer can be guided comfortably with just one hand.

## Keyhole saw for board material

Circular recesses and free forms of any shape can be cut quickly and conveniently by hand using the new keyhole saw for board material. Once the drill tip has been inserted, the ergonomic two-component handle and 17 cm long, 5 mm thin rasp with all-round teeth make the saw easy to guide and the tool is the ideal length for use on drywalls.



## Screwdriver attachment

The magnetic bit holder with depth stop ensures the perfect screw insertion depth in various metal profiles or square timber. The patented plastic cap with window enables a clear view of the bit and the screw. »





## Empty cartridges

Have you ever considered stirring your own filler and using practical empty cartridges to inject it into gaps that are difficult to reach with a trowel? The new empty cartridges from **wolcraft** are perfect for easily injecting material into corner joints, saving you time and materials. Any residual joint sealant can still be used several days later because the 310 ml cartridges prevent it from drying out.

## Surface scraper

The new surface scraper with flexible blade made of highly polished stainless steel is the ideal accessory for filling and smoothing surfaces professionally. The scraper is available in two widths: 200 and 250 mm.



## Plastering trowel 300 x 130mm

The 300 x 130 mm Plastering trowel is a practical aid for smoothing over transitions. The large, stainless steel blade spreads material over a wider area and the long handle guarantees outstanding stability. The ergonomic two-component handle is easy to clean and ensures controlled guidance of the smoother.



## 225 mm surface sander including ceiling holder

The 225 mm surface sander with ceiling holder from **wolcraft** has made sanding even easier than ever. The shape of the head means that, in contrast to rectangular sanders, the sanding pad remains flat when used on walls and guarantees continuous stability throughout the working process. You can attach all commercial grit cloths with a diameter of 225 mm to the strong Velcro fastening. You can either hold the sander in your hand or attach it to the telescopic handle to work ergonomically on ceilings and keep a healthy distance from any dust generated while sanding walls.





# 3. BUILDING THE SUBSTRUCTURE

## Preparing the working area

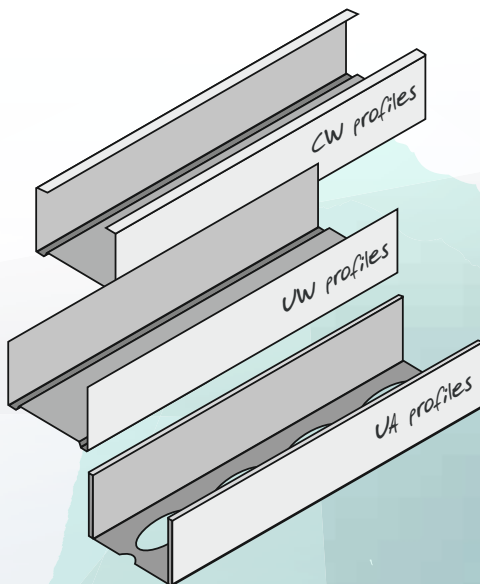
Before you can start work, you should set up the tape & zip door from *wolcraft*: Simply secure the extra strong transparent foil to the door frame using the enclosed adhesive tape, cut into the film on the back at the relevant point, attach the self-adhesive zip fastener and the tape & zip door is ready to use. After you have finished the work, you can remove the adhesive tape cleanly from the door frame, saving you cleaning work and energy. Everything prepared? Then let the work begin!



## Selecting the right materials

When installing a drywall, you first have to build a substructure. A stud frame can be built from wood or metal. Plasterboards are then screwed to the frame. Metal is the material of choice in almost every application. It offers greater dimensional accuracy, is easier to process and has a higher load-bearing capacity. You can find the most common standard metal profiles at DIY stores:

- UW profiles for the floor and ceiling
- CW profiles for the sides and vertical struts in the centre
- UA profiles and door lintel profiles for doors and passagewaysund »





## 1. Marking out the wall profile

Mark the profile of the planned wall using a plumb line or laser and measure the UW profiles accordingly. For better orientation, use adhesive strips to mark out the outline on the floor.

## 2. Preparing the profiles

Use **metal shears** to cut the profiles to the required length.



### Tip:

Do not use an angle grinder because the high frictional heat will destroy the corrosion protection layer on the profiles. Now affix self-adhesive sealing strips made from PE (polyethylene) on the back of the profiles to prevent unwanted sound transmission.

### 3. Securing the UW profiles

You can now secure the profiles to the floor and ceiling using suitable screw plugs. Use a drill fitted with the right **wolcraft** rock drill and corresponding bit.

If underfloor heating is installed, you should bond the profile in position or use a cable finder to make sure there are no pipes or cables in the area where you are drilling. The bottom UW profiles are recessed in the area where the door opening will be. A joint seal is affixed to the stud profiles on the walls. Anchor the profile according to the manufacturer's specifications.

#### Tip:

If you do not wish to use the existing holes, you can drill directly through the metal profile and into the wall using the multi-purpose drill from wolcraft.

### 4. Aligning the CW profiles

You can now position the first CW profile in the UW profiles secured to the floor and ceiling without attaching it permanently. You should allow 2 cm of clearance to compensate for any ceiling movements.

Starting from the wall, you can now align the stud profiles so that the distance between them is half the width of the plasterboard. Align all profiles in the same direction and then crimp them using **profile compound pliers** from **wolcraft**, for example.





# 4. CUTTING PLASTERBOARD



1.

Plasterboard is an undisputed favourite for wall and ceiling cladding: It offers excellent value for money, optimal fire protection and is easy to work with using the right tools.



Plasterboard comprises a plaster core covered with a special cardboard on both sides. For interior construction, we recommend the ceiling-high format with a width of 125 cm or „one man boards“ in 60 x 260 cm format. For damp rooms, you should use impregnated boards specially designed for bathrooms.

This manual presents two practical alternative tools for cutting and adapting plasterboard.

2.



## Cutting plasterboard in 3 steps

The new **plasterboard cutter** makes cutting so much easier and saves you from continuously moving, turning and standing unwieldy boards on end. Extremely practical when you are carrying out the work on your own.

**1. Simply place the 100 cm long rail on the board, draw the carriage with cutting blade across the cardboard and 2. break the board by applying gradual, controlled pressure.** Please do not strike the board as it is important that the layer of cardboard remains intact.

**3. You do not have to change the position of the board to cut the cardboard on the back. One working step less to perform! Simply slide the carriage in the opposite direction, the integral hook blade will then cut the second cardboard layer cleanly on the way back.**

3.



The clean cut will make subsequent jointing work much easier. The interchangeable standard blades are very quick to replace.

If necessary, the rail can be extended to 200 cm using a suitable extension. »





## Making precise angular and longitudinal cuts

The new moving **T-rail with angle function** also guarantees precision cutting at exactly the right angle. You can mark out and make cuts accurately using the easy-to-read scale.

The accompanying parallel and strip cutter with trapezium blade can be locked easily on the cutter carriage enabling you to make a series of guided cuts.



## Efficiently removing unevenness along edges

You can remove any unevenness along edges using the robust **one-handed planer**. The planer can be guided comfortably with just one hand due to the ergonomic handle. The 150 x 57 mm rasp surface guarantees rapid working progress, making your work really fun!





## Cutting recesses, circles and free forms

You can now cut larger holes or recesses before attaching the plasterboard to the wall. Circular shapes and free forms can be cut quickly and conveniently by hand using the **key-hole saw for board material**. The ergonomic two-component handle and 17 cm-long, 5 mm thin shaft with all-round teeth make the saw easy to guide and the tool is the ideal length for use on drywalls.



## Chamfering face edges cleanly

The boards must be chamfered so that the boards are not simply positioned end to end, but form an expansion joint that prevents the formation of cracks. Precision and finesse are required here. No problem with the new **edge trimmer**. Even inexperienced DIYers can safely manufacture angled edges in seconds. Simply place in position, draw along the piece of 9.5 or 12.5 mm plasterboard and you're done.

The triple blade produces an accurate 35° angle in a single step with fine, clean-cut edges that can then be plastered over quickly without damaging the material. The commercially available blades are loosened easily via three screws and are straightforward to replace.



# 5. POSITIONING

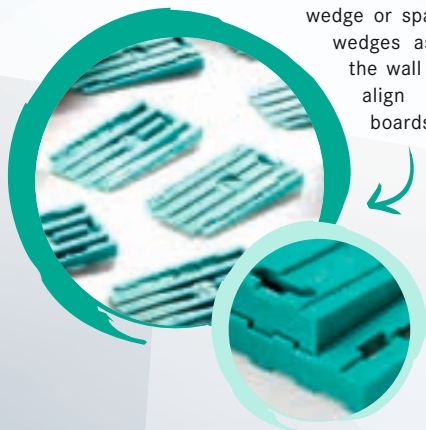


The stud frame has been erected, the plasterboard cut to the correct dimensions and the wall is slowly taking shape. You should provide a gap below the plasterboard adjacent to the floor. Universal wedges from *wolcraft* are a worthwhile investment that will pay dividends in countless situations such as this.

The patented **universal wedges** offer three decisive advantages: They always remain in position and can be plugged together in any combination, while their flexible format makes it possible to use them either as a wedge or spacer. Use the wedges as spacers to the wall and carefully align the plaster boards.



Because an extra helping hand is needed in particular when installing ceilings, we provide the perfect aid for you here too: The **plasterboard fixing set** helps you install plaster boards overhead while working alone. The tools and clamps ensure convenient, easy and safe installation on walls, ceilings and especially on sloping areas. The boards are fixed and then screwed in position using fixing clamps and crosses. The fixing material is then removed and can be used for other boards. The ceiling support from *wolcraft* also offers welcome relief when installing larger boards on ceilings and inclined surfaces. The telescopic support covers distances of 1.6 - 2.9 m, can support weights of 30 kg and features a pump mechanism for making fine adjustments.





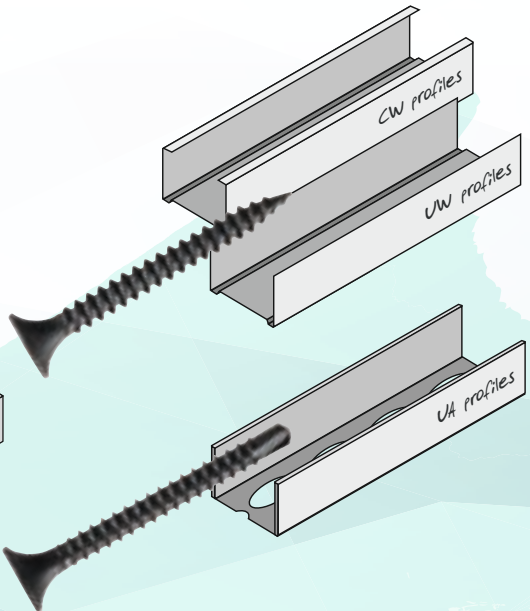
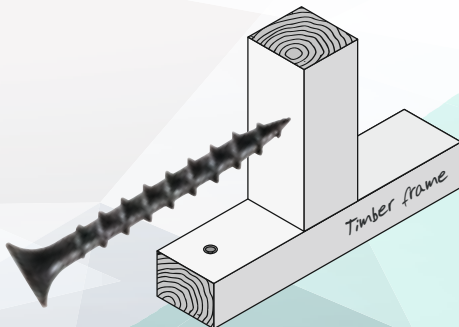
# 6.

# CLADDING



Fasten the plaster boards to the metal profiles using fine thread quick-fit screws. »

Different screws are required for the various profiles:





The screw heads should be countersunk slightly so that they can be plastered over easily at a later stage. Caution: Do not drill too deep, otherwise you will damage the cardboard layer and the screw will no longer grip properly. If you want to be absolutely sure:

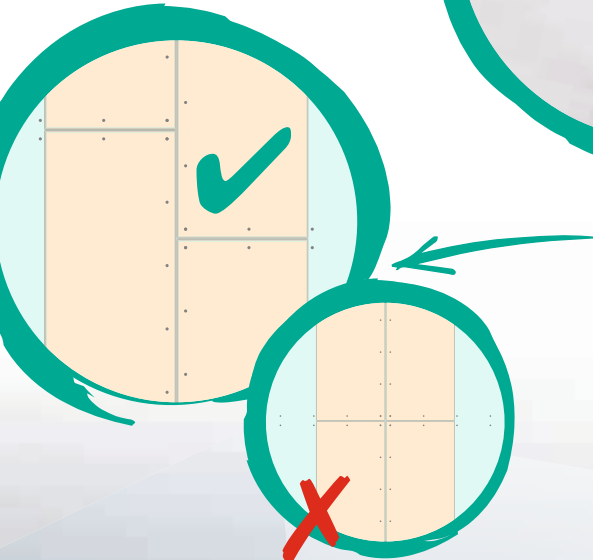
The **screwdriver attachment** is a good solution here. The magnetic bit holder with depth stop ensures the perfect screw insertion depth in various metal profiles or square timber.

The patented plastic cap with window enables a clear view of the bit and the screw.



Before securing the boards, you should make sure that they are positioned at an offset to avoid cross joints. We suggest starting the second row with half a board, for example.

Walls that do not need to withstand heavy loads can simply be covered with plasterboard. A double plasterboard layer is recommended on walls that will be tiled at a later time. In this case, two boards are secured on top of one another.



# INTEGRATING 7. INSTALLATIONS



The cavities between the metal profiles provide space for installation cables and insulating material. You can insert the electrical cables before closing off the second side of the drywall. Bend open the holes already cut in the metal profiles and guide the cables through.



Before cutting out the openings for the sockets and switches, you must determine their exact position.

This is where the **wolcraft template for hollow wall boxes** comes in handy. You can use the template to draw an outline of all standard socket and switch combinations.

The vertical and horizontal spirit levels help you adjust the template with greater precision. You can transfer the spacing of all standard sockets to the wall instantly using the marking points on the template. You can determine the correct distance between a switch and the door frame quickly and conveniently using the integral scale.



Now it's time to move on to step two: The appropriate recesses in the plasterboard wall can be drilled with the **Ø 68 mm carbon steel hole saw**. The saw has a special tooth geometry so you can also cut accurate holes in soft wood, OSB panels, plywood and chipboards.



The **adjustable AH 45 - 130 hole saw** is particularly well suited for further installations. Their infinite adjustment from 45 - 130 mm enables holes of all the necessary diameters to be drilled during installation work.



You can now insert the hollow wall boxes.





# 8. SMOOTHING



*Congratulations, the basic wall structure is now complete.*

Time to add the finishing touches. You can now fix any minor flaws and repair local damage on the boards. However, you should only perform this step once you are sure that the plasterboard will not change its shape due to heat or moisture from freshly laid floor screed or other plasterwork, for example. If you do not expect the plasterboard to change shape, you can begin:

## Filling holes and removing unevenness

Mix your joint sealant in a clean container as recommended by the manufacturer.

Then plaster over all holes, screws and other uneven areas. Use a **wolcraft surface scraper** to work with maximum speed and efficiency. Fill joint sealant into the joints with a scraper and smooth over easily with the smoother.



### Tip:

Sprinkle the plaster powder into water and allow to settle. Do not add any additional water otherwise the plaster will lose its strength.



## Filling in corner joints

One clever way of applying joint sealant accurately, in particular into corner joints, is to use an **empty cartridge**. You can stir the joint sealant yourself at minimal cost and transfer it to a 310 ml cartridge.

1. Open the empty cartridge using the **wolcraft** cartridge knife, which incorporates two protected cutting zones for opening the cartridge as well as cutting the tip off at an angle. The knife cuts the tip in the same way as a cigar cutter, whereby the angled contact surface already creates the ideal angle for the cartridge tip.
2. Remove the base of the empty cartridge and fill with filler material using a scraper. The cartridge applies filler accurately into joints and prevents it from drying out quickly. »

1.



2.





3. Insert your cartridge into a caulking gun. The MG 600 PRO is the ideal tool for this job because it can deliver extremely thick adhesives and sealants with ease.



4. Apply the sealant into the joint. The cartridge can reach into particularly awkward corners.

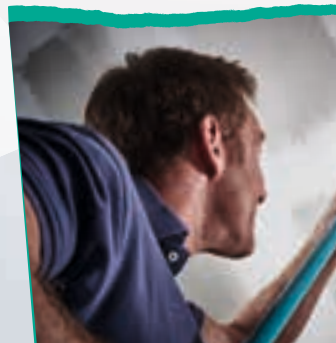


5. Smooth over the joint using a suitable smoother. A joint smoother made from low-maintenance silicone is ideal for the corners because it distributes the filler so cleanly.

## Second filling step

Once the filler is dry, use the **surface scraper** to scrape off any excess filler and burrs. In order to achieve a better surface finish, you can perform a second finer scraping process once the filler is dry.

You can also use joint cover strips on pieces of plasterboard with flattened longitudinal edges. Three working steps are required here.



# 9. SANDING



Now most of the hard work is done, you can focus on fine sanding. In order to achieve a smooth surface finish, the joints between the plaster boards in particular require thorough sanding with the hand-held grinder. Here it is important to make sure that the cardboard layer is not damaged. **wolcraft** has developed the ergonomic 225 mm **surface sander** for quicker sanding progress and greater stability when working on walls.

All commercial grit cloths with a diameter of 225 mm can be attached to the Velcro fastening. The more carefully you perform this sanding

process, the more harmonious the result will be. First sand with a coarse grit and then switch to a fine grit for the second pass. It will be worth it!

You can hold the **surface sander** in your hand or attach it to the telescopic handle to work ergonomically on ceilings and keep a comfortable distance from any dust generated when sanding walls.



## Tip:

After sanding, you should apply a primer recommended by the manufacturer to the plasterboard.





Watch the video instructions now for a complete overview!

Further useful information is also available in our user videos on YouTube. Simply scan the QR code or open the link directly at [www.wolfcraft.com](http://www.wolfcraft.com).

## Checklist and shopping list for tools

- Straightedge and spirit level, folding rule or laser
- Tape & zip door (Art.-No.: 4005000, 4006000, 4007000)
- Metal shears (Art.-No.: 4027000)
- Drill or cordless screwdriver
- Suitable drill bits
- Crimping pliers (Art.-No.: 4029000)
- Knife (Art.-No.: 4084000)
  
- Plasterboard cutter with rail (Art.-No.: 4044000)
- T-square with parallel cutter (Art.-No.: 4008000)
- Edge trimmer (Art.-No.: 4009000)
- Block plane (Art.-No.: 4043000)
- Screwdriver attachment (Art.-No.: 4055000)
- Hole saw  $\varnothing 68$  mm (Art.-No.: 5968000)
- Template for hollow wall boxes (Art.-No.: 4050000)
- Mounting aid (Art.-No.: 4040000)
- Ceiling support (Art.-No.: 4042000)
- Board lifting aid (Art.-No.: 4045000)
  
- 225 mm surface sander (Art.-No.: 4052000)
- 225 mm easy fix sanding discs and grit cloths, grain 120 and grain 220 (Art.-No.: 1996000, 1998000)
- Empty cartridges for filler (Art.-No.: 4044000)
- Stainless steel smoother (Art.-No.: 4043000)
- Surface scraper (Art.-No.: 4062000/4063000)
- Taping knife (Art.-No.: 4047000)
- Keyhole saw for board material (Art.-No.: 4034000)
- Handsaw (Art.-No.: 4024000)

