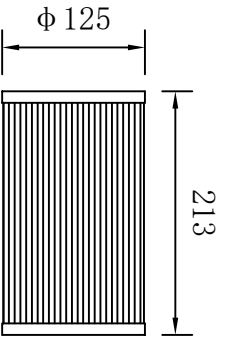
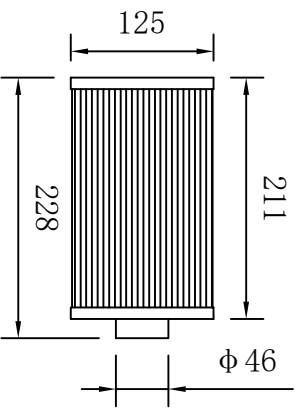


unit: mm

125979
cam lock



124248

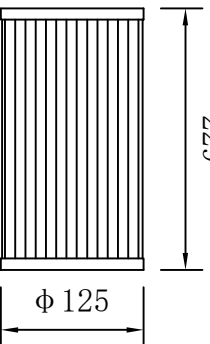


Fine thread

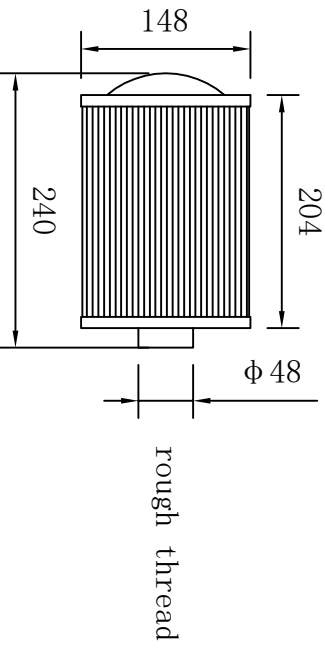
124756



124310



125488



rough thread