

Rev	1	2	3	4		
	Note			CreatedBy	Appr.By	Appr.Date

A

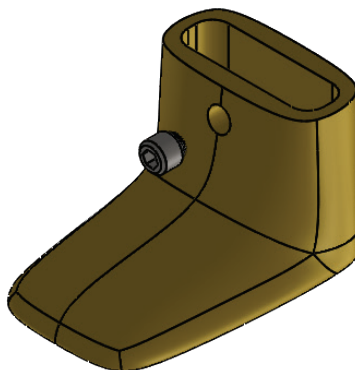
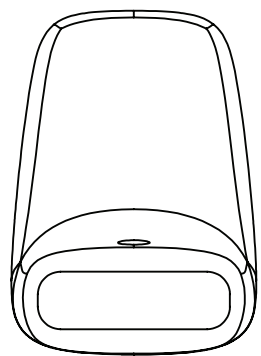
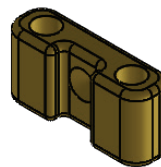
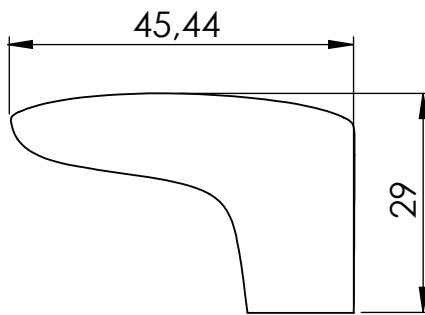
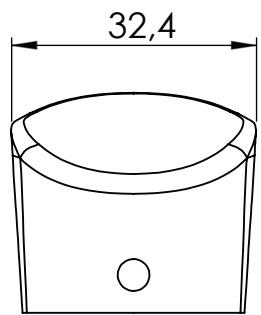
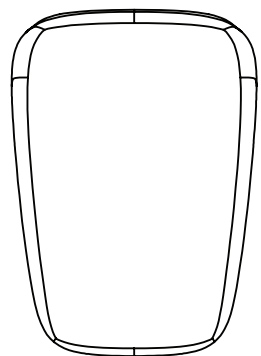
B

C

D

E

F



		Tolerance		Project		
Sign.	Date	Surface treatment		Weight	Scale	First angle projection
Drawn		Surface finish			1:1	
Appr.		Heat treatment		Material		Sheet
		Title/Description SMALL HOOK - NO.-2		Drawing number		1/1
				HABO_02_29-8-2019		Rev

HABO_02_29-8-2019

1

2

3

4