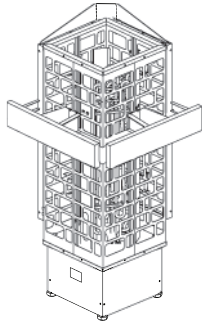
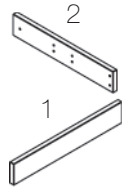


1

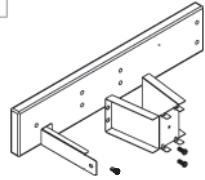


2



Note on the parts' corresponding numbers

3

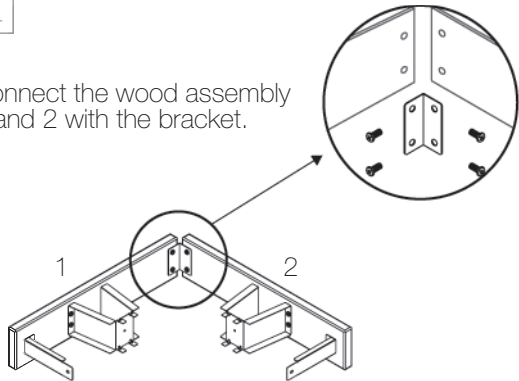


Assemble the wood and metal holder with screws.

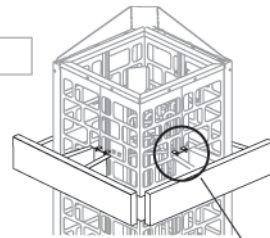
PROTECTIVE COVER MUST BE INSTALLED BEFORE ATTACHING THE GUARD RAIL.

4

Connect the wood assembly 1 and 2 with the bracket.

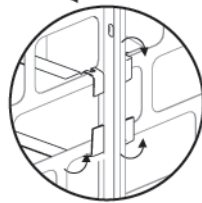


5

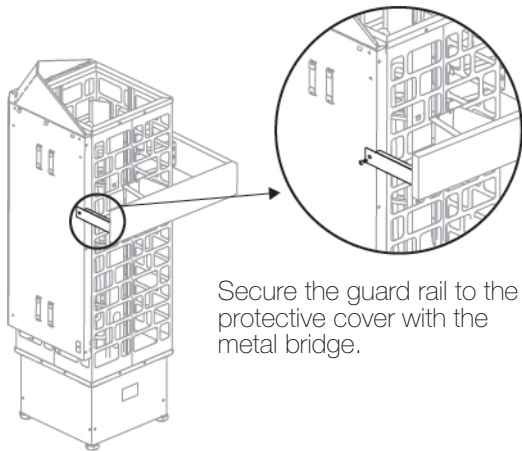


Clip the metal holders into the casing.

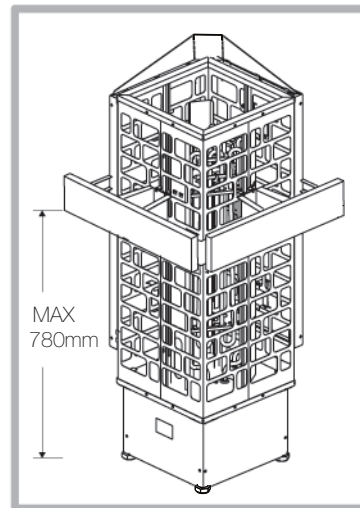
Bend the clips to secure.



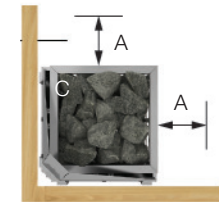
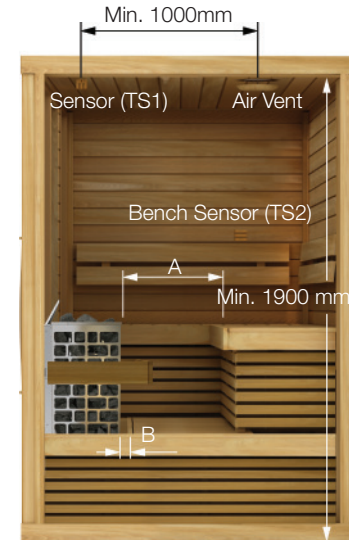
6



Secure the guard rail to the protective cover with the metal bridge.



Safety Distance (mm)



Corner Installation with Protective Cover

HEATER MODEL	A (MIN.)	B (MIN.)	C (MAX.)
CUB3-45 Ni2 NS NB	100	45	700
CUB3-60 Ni2 NS NB	100	45	700
CUB3-75 Ni2 NS NB	100	45	700
CUB3-90 Ni2 NS NB	125	45	700